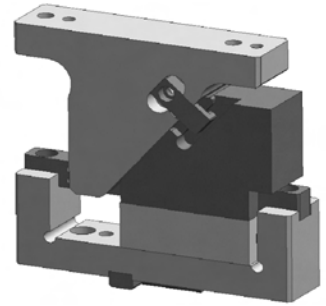
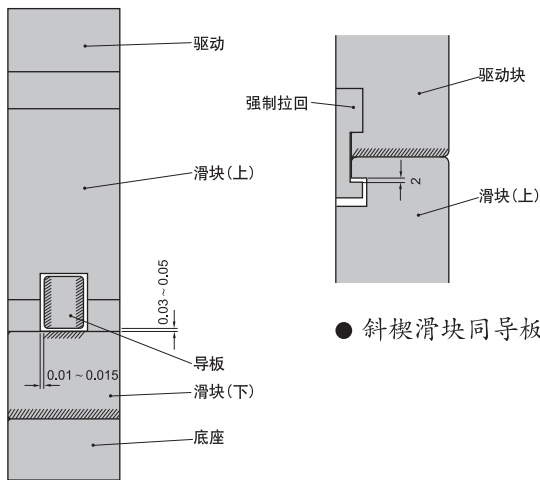


### KDMD概要

- 斜楔安装面宽度52。
- 斜楔结构很简单。
- 标准加工力为(100万次)196kN、允许加工为(30万次)39.2kN。
- 双导板、S450主体的高刚性结构。
- NAAMS标准适用件。



### ■ 滑块结构及强制拉回结构



- 斜楔滑块同导板单侧间隙为0.01 ~ 0.015

※斜线部位为无润滑加工

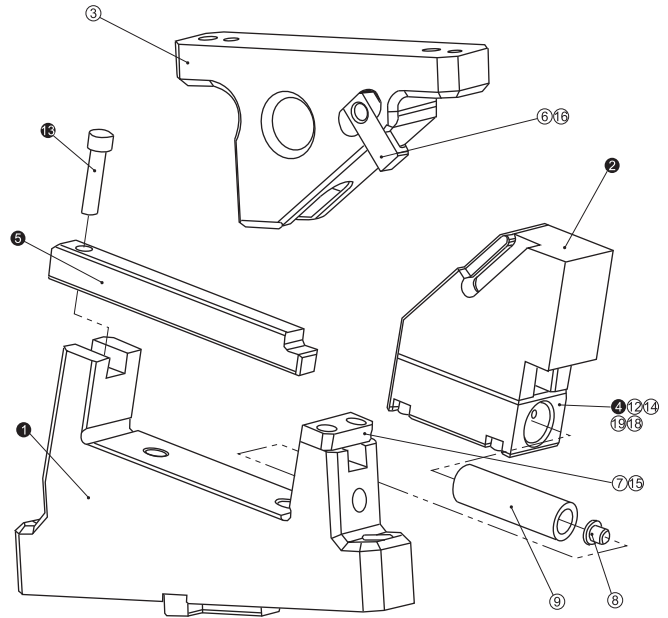
## ■ KDMD的结构和分组组装

### ● KDMD的拆解方法

- 1、取下螺钉⑬后即可将导杆向后方拉出10mm，可将滑块②④从底座件①上方取出。

### ● KDMD的装配方法

- 1)按与拆解相反的顺序装配。
- ◆充分确认滑动部位是否无异物后涂上润滑脂并进行装配。
- ◆由于对滑块和上底座的间隙进行管理因此要确认刻印的序号后进行装配。
- ◆拆解、装配后，要充分注意不要忘记紧固螺栓。



# KDMD52-00-55

**■ SC WC Change Specification**

**■ Cam Diagram**

**■ 零部件表 Table of Components**

代号 No.	名称 Description	数量 Qty	材料和备注 Material and Remark
①	底座 Cam Holder	1	HT300
②	滑动块 Cam Slider	1	HT300
③	驱动块 Cam Driver	1	HT300
④	下滑块 Cam Slider(Lower)	1	HT300
⑤	导轨 Guide Bar	1	45
⑥	强制拉回 Positive Return Follower	1	45
⑦	导轨压板 Guide Bar Plate	1	45
⑧	弹簧销 Spring Guide Pin	1	45
⑨	螺旋弹簧 Coil Spring	1	SWS26-150
⑫	缓冲块 Coil Spring	1	ø20 × 20
⑬	内六角螺钉 Hexagon Socket Head Bolt	1	M10 × 50
⑭	内六角螺钉 Hexagon Socket Head Bolt	4	M8 × 50
⑮	内六角螺钉 Hexagon Socket Head Bolt	2	M8 × 20
⑯	内六角螺钉 Hexagon Socket Head Bolt	1	LSC-8-18

加工力 Working Force kN(tonf)		弹簧力 Spring Force N(kgf)		总重量 Total Weight kg	代号 Catalog No.	(W)	(θ)	行程 Travel S	SANKYO 代号对照 Catalog No.
标准加工力 (100万回) Standard Working Force (one million strokes)	允许加工力 (30万回) Allowable Working Force (300,000 strokes)	初压 Initial Load	终压 Final Load						
19.6 (2.0)	39.2 (4.0)	85.5 (8.7)	608.0 (62.1)	14.1	KDMD	52	00	55	CMSD



Order

Catalog No. (W) - (θ) - S  
**KDMD 52 - 00 - 55**



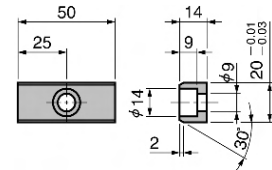
Option

追加编号 Option Code	明细 Specification
SC	安装面可以加长5到65mm(5mm间隔)。 The mount surface is extended forward in the range of 5 to 65 mm(at increments of 5mm).
WC	安装面宽度加至100。 The mount width is changed to 100.

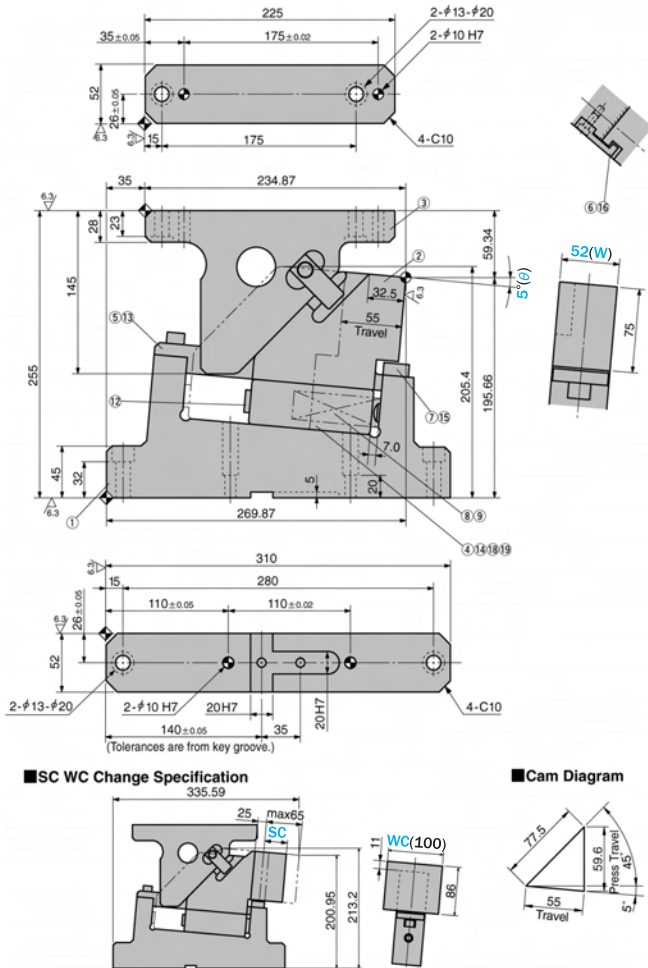


Order **KDMD 52-00-55-SC5-WC**  
**KDMD 52-00-55-SC25**

### ■ 键详图 Key Specification



# KDMD52-05-55



## 零部件表 Table of Components

代号 No.	名称 Description	数量 Qty	材料和备注 Material and Remark
①	底座 Cam Holder	1	HT300
②	滑动块 Cam Slider	1	HT300
③	驱动块 Cam Driver	1	HT300
④	下滑块 Cam Slider(Lower)	1	HT300
⑤	导轨 Guide Bar	1	45
⑥	强制拉回 Positive Return Follower	1	45
⑦	导轨压板 Guide Bar Plate	1	45
⑧	弹簧销 Spring Guide Pin	1	45
⑨	螺旋弹簧 Coil Spring	1	SWS26-150
⑫	缓冲块 Coil Spring	1	φ20 × 20
⑬	内六角螺钉 Hexagon Socket Head Bolt	1	M10 × 50
⑭	内六角螺钉 Hexagon Socket Head Bolt	4	M8 × 50
⑮	内六角螺钉 Hexagon Socket Head Bolt	2	M8 × 20
⑯	内六角螺钉 Hexagon Socket Head Bolt	1	LSC-8-18

加工力 Working Force kN(tonf)		弹簧力 Spring Force N(kgf)		总重量 Total Weight kg	代号 Catalog No.	(W)	(θ)	行程 Travel S	SANKYO 代号对照 Catalog No.
标准加工力 (100万回) Standard Working Force (one million strokes)	允许加工力 (30万回) Allowable Working Force (300,000 strokes)	初压 Initial Load	终压 Final Load						
19.6 (2.0)	39.2 (4.0)	85.5 (8.7)	608.0 (62.1)	18.4	KDMD	52	05	55	CMSD

KDMD 52



Order

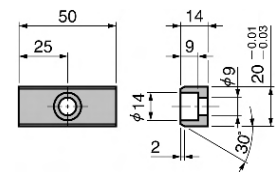
Catalog No. **(W) - (θ) - S**  
**KDMD 52 - 05 - 55**



Option

追加编号 Option Code	明细 Specification
SC	安装面可以加长5到65mm(5mm间隔) The mount surface is extended forward in the range of 5 to 65 mm(at increments of 5mm).
WC	安装面宽度加至100。 The mount width is changed to 100.

## 键详图 Key Specification



Order **KDMD 52-05-55-SC5-WC**  
**KDMD 52-05-55-SC25**

# KDMD52-10-55

**■ SC WC Change Specification**

**■ Cam Diagram**

**■ 零部件表 Table of Components**

代号 No.	名称 Description	数量 Qty	材料和备注 Material and Remark
①	底座 Cam Holder	1	HT300
②	滑动块 Cam Slider	1	HT300
③	驱动块 Cam Driver	1	HT300
④	下滑块 Cam Slider(Lower)	1	HT300
⑤	导轨 Guide Bar	1	45
⑥	强制拉回 Positive Return Follower	1	45
⑦	导轨压板 Guide Bar Plate	1	45
⑧	弹簧销 Spring Guide Pin	1	45
⑨	螺旋弹簧 Coil Spring	1	SWS26-150
⑫	缓冲块 Coil Spring	1	∅20 × 20
⑬	内六角螺钉 Hexagon Socket Head Bolt	1	M10 × 50
⑭	内六角螺钉 Hexagon Socket Head Bolt	4	M8 × 50
⑮	内六角螺钉 Hexagon Socket Head Bolt	2	M8 × 20
⑯	内六角螺钉 Hexagon Socket Head Bolt	1	LSC-8-18

加工力 Working Force kN(tonf)		弹簧力 Spring Force N(kgf)		总重量 Total Weight kg	代号 Catalog No.	(W)	(θ)	行程 Travel S	SANKYO 代号对照 Catalog No.
标准加工力 (100万回) Standard Working Force (one million strokes)	允许加工力 (30万回) Allowable Working Force (300,000 strokes)	初压 Initial Load	终压 Final Load						
19.6 (2.0)	39.2 (4.0)	85.5 (8.7)	608.0 (62.1)	19.3	KDMD	52	10	55	CMSD



Order

Catalog No. **(W) - ((θ) - S**  
**KDMD 52 - 10 - 55**



Option

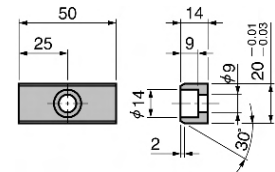
追加编号 Option Code	明细 Specification
SC	安装面可以加长5到65mm(5mm间隔) The mount surface is extended forward in the range of 5 to 65 mm(at increments of 5mm).
WC	安装面宽度加至100。 The mount width is changed to 100.



Order

**KDMD 52-10-55-SC5-WC**  
**KDMD 52-10-55-SC25**

### ■ 键详图 Key Specification



# KDMD52-15-55

**■ SC WC Change Specification**

**■ Cam Diagram**

**■ 零部件表 Table of Components**

代号 No.	名称 Description	数量 Qty	材料和备注 Material and Remark
①	底座 Cam Holder	1	HT300
②	滑动块 Cam Slider	1	HT300
③	驱动块 Cam Driver	1	HT300
④	下滑块 Cam Slider(Lower)	1	HT300
⑤	导轨 Guide Bar	1	45
⑥	强制拉回 Positive Return Follower	1	45
⑦	导轨压板 Guide Bar Plate	1	45
⑧	弹簧销 Spring Guide Pin	1	45
⑨	螺旋弹簧 Coil Spring	1	SWS26-150
⑫	缓冲块 Coil Spring	1	ø20 × 20
⑬	内六角螺钉 Hexagon Socket Head Bolt	1	M10 × 50
⑭	内六角螺钉 Hexagon Socket Head Bolt	4	M8 × 50
⑮	内六角螺钉 Hexagon Socket Head Bolt	2	M8 × 20
⑯	内六角螺钉 Hexagon Socket Head Bolt	1	LSC-8-18

加工力 Working Force kN(tonf)		弹簧力 Spring Force N(kgf)		总重量 Total Weight kg	代号 Catalog No.	(W)	(θ)	行程 Travel S	SANKYO 代号对照 Catalog No.
标准加工力 (100万回) Standard Working Force (one million strokes)	允许加工力 (30万回) Allowable Working Force (300,000 strokes)	初压 Initial Load	终压 Final Load						
19.6 (2.0)	39.2 (4.0)	85.5 (8.7)	608.0 (62.1)	19.9	KDMD	52	15	55	CMSD



Order

Catalog No. **KDMD 52 - 15 - 55**



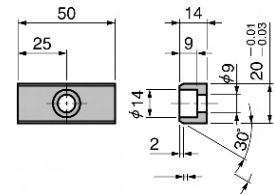
Option

追加编号 Option Code	明细 Specification
SC	安装面可以加长5到65mm(指定5mm单位) The mount surface is extended forward in the range of 5 to 65 mm(at increments of 5mm).
WC	安装面宽度加至100。 The mount width is changed to 100.



Order **KDMD 52-15-55-SC5-WC**  
**KDMD 52-15-55-SC25**

### ■ 键详图 Key Specification



KDMD 52

# KDMD52-20-55

**■ SC WC Change Specification**

**■ Cam Diagram**

**■ 零部件表 Table of Components**

代号 No.	名称 Description	数量 Qty	材料和备注 Material and Remark
①	底座 Cam Holder	1	HT300
②	滑动块 Cam Slider	1	HT300
③	驱动块 Cam Driver	1	HT300
④	下滑块 Cam Slider(Lower)	1	HT300
⑤	导轨 Guide Bar	1	45
⑥	强制拉回 Positive Return Follower	1	45
⑦	导轨压板 Guide Bar Plate	1	45
⑧	弹簧销 Spring Guide Pin	1	45
⑨	螺旋弹簧 Coil Spring	1	SWS26-150
⑫	缓冲块 Coil Spring	1	ø20 × 20
⑬	内六角螺钉 Hexagon Socket Head Bolt	1	M10 × 50
⑭	内六角螺钉 Hexagon Socket Head Bolt	4	M8 × 50
⑮	内六角螺钉 Hexagon Socket Head Bolt	2	M8 × 20
⑯	内六角螺钉 Hexagon Socket Head Bolt	1	LSC-8-18

加工力 Working Force kN(tonf)		弹簧力 Spring Force N(kgf)		总重量 Total Weight kg	代号 Catalog No.	(W)	(θ)	行程 Travel S	SANKYO 代号对照 Catalog No.
标准加工力 (100万回) Standard Working Force (one million strokes)	允许加工力 (30万回) Allowable Working Force (300,000 strokes)	初压 Initial Load	终压 Final Load						
19.6 (2.0)	39.2 (4.0)	85.5 (8.7)	608.0 (62.1)	19.4	KDMD	52	20	55	CMSD



Order

Catalog No. **KDMD** (W) **52** - (θ) **20** - S **55**



Option

追加编号 Option Code	明细 Specification
SC	安装面可以加长5到65mm(5mm间隔) The mount surface is extended forward in the range of 5 to 65 mm(at increments of 5mm).
WC	安装面宽度加至100。 The mount width is changed to 100.



Order **KDMD 52-20-55-SC5-WC**  
**KDMD 52-20-55-SC25**

### ■ 键详图 Key Specification

