

# T2 Mini Series

**New!**

- One-half inch diameter **T2-50** spring
- **T2SS2-16** and **T2SS2-24** stripper gas springs with special model that conforms to GM 90.80.45 Global Standard
- One and one-quarter inch diameter **T2SC-740** gas spring
- **T2LS-300**, with 674 lbs. contact force, replaces T2LS-250
- **Additional stroke lengths** for several models.



**Hyson® Products**  
Associated Spring 

Dynamic Solutions for a Global Market™



## Table of Contents

## Page

Mini Series Summary Chart.....	2
Accessories .....	3
T2-50 .....	4
T2SS2-16 and 16-GM .....	6
T2-90 .....	8
T2-180 .....	10
T2SC-420 .....	12
T2SS2-24 .....	14
T2SC-740 .....	16
T2L-300 .....	18
T2LS-300.....	20
T2SC-1000 .....	22



## Mini Series Summary Chart

Size	Spring Diameter		Maximum Contact Force		Maximum Stroke Length		Strokes Per Minute	Mode of Operation
	mm	in.	N	lbs.	mm	in.		
<b>1/2" diameter</b>								
T2-50	12	0.47	500	112	125	4.92	Up to 100	Self-contained or Hosed system, bottom port
<b>5/8" diameter</b>								
T2SS2-16	16	0.63	420	95	125	4.92	Up to 100	Self-contained or Hosed system, bottom port
T2SS2-16-GM	16	0.63	420	95	125	4.92	Up to 100	Self-contained or Hosed system, bottom port
<b>3/4" diameter</b>								
T2-90	19	0.75	905	203	125	4.92	Up to 150	Self-contained or Hosed system, bottom port
<b>1" diameter</b>								
T2-180	25	0.98	2036	458	125	4.92	Up to 100	Self-contained or Hosed system, bottom port
T2SC-420	25	0.98	4250	955	50	1.97	Up to 100	Self-contained or Hosed system, bottom port
T2SS2-24	24	0.94	1700	382	125	4.92	Up to 80	Self-contained or Hosed system, bottom port
<b>1 1/4" diameter</b>								
T2SC-740	32	1.26	7400	1665	50	1.97	Up to 100	Self-contained or Hosed system, bottom port
<b>1 1/2" diameter</b>								
T2LS-300	38	1.5	3000	674	100	3.94	Up to 100	Self-contained or Hosed system, side port
T2L-300	38	1.5	2650	595	127	5.00	Up to 100	Self-contained or Hosed system, side port
T2SC-1000	38	1.5	10600	2383	50	1.97	Up to 100	Self-contained or Hosed system, side port

# T2 Accessories

## Service Gauge Assembly

Charging and discharging the Mini Series gas springs is easy with the MGA-3000.

**NOTE:** The MGA-3000 does not include male quick disconnect. Charge fittings sold separately.



## Male Quick Disconnects (Charge Fittings)

There are two models available for Mini Series gas springs.

Gas Spring	Quick Disconnect
T2-50	T2-770-T3
T2-90	
T2-180	
T2SS2-16	
T2SS2-24	
T2L-300	
T2LS-300	
T2SC-420	
T2SC-740	T2-770-M6
T2SC-1000	



**T2-770-T3**  
M6 side or base port



**T2-770-M6**  
M6 port

## Nitrogen Charging Assembly

The NCA-2600 charging assembly is used to transfer nitrogen from a commercial bottle to Mini Series gas springs. The charging assembly includes a CGA-580 bottle fitting, regulator with bottle and system pressure gauges, shut-off valve and 10 feet of high pressure hose with a fitting for the control panel or to the service gauge assembly.



## Seal Kits and Tool Kits

Some of the T2 Mini Series gas springs are field repairable. There is a seal kit with detailed instructions for each size gas spring. Each tool kit includes all tools necessary to disassemble and reassemble the gas spring.

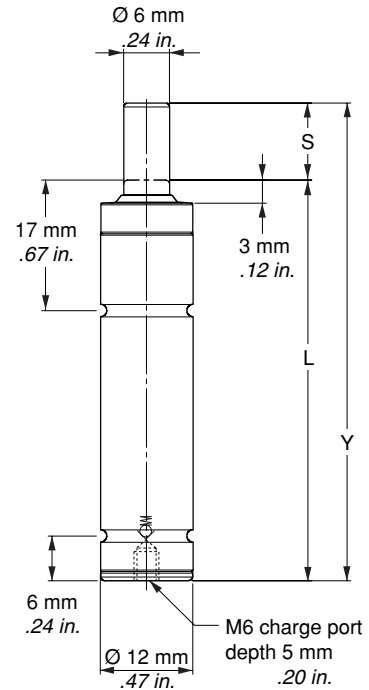
Gas Spring	Seal Kit	Tool Kit
T2-180	T2SK2-180	T2TK
T2L-300	T2LSK-300	T2TK-250-750
T2LS-300	T2LS-SK-300	T2TK-250-750
T2SC-1000	T2SCSK-1000	T2SCTK

# T2-50



## Product Specifications

Pressure Medium.....Nitrogen Gas  
 Charging Pressure  
 Range.....Max.: 180 bar/2610 psi  
 Min.: 20 bar/290 psi  
 Maximum Operating  
 Temperature.....80°C/176°F  
 Force Increase by  
 Temperature.....+/-0.3% per degree C  
 Maximum Strokes/Minute..... 40-100 at 20°C  
 Maximum Piston Rod Velocity..... 96 m/min.  
 315 ft/min.  
 Maximum Utilized Stroke ..... 100%  
 Repair Kit ..... Not repairable  
 Inlet Valve ..... 4018112



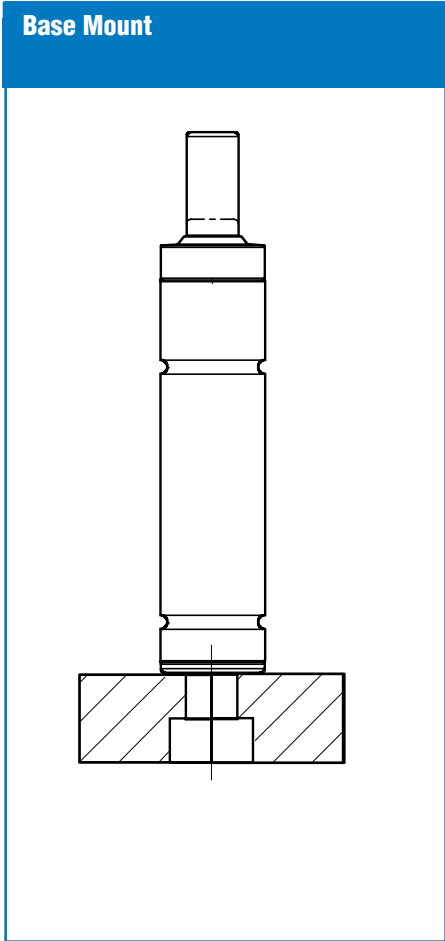
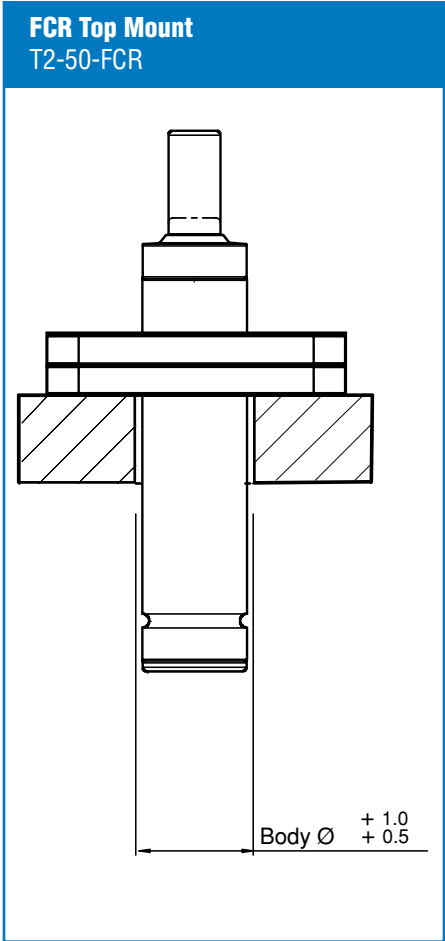
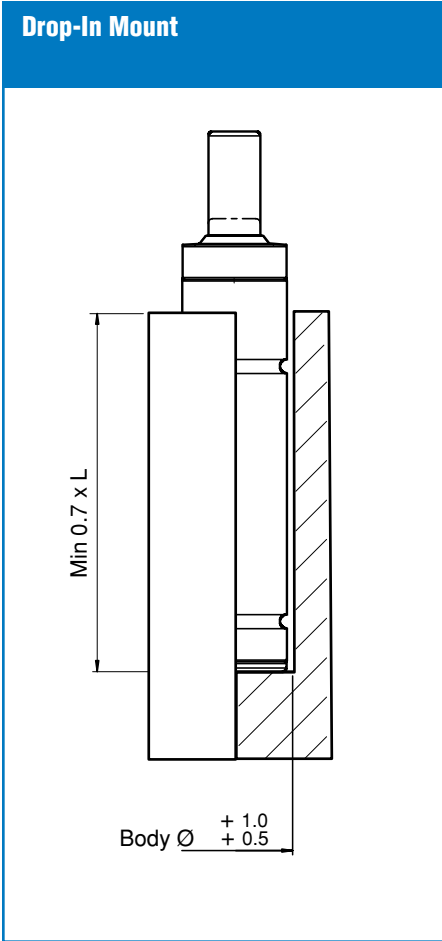
## T2-50 Dimensional Information

Part Number Model X Stroke	Stroke S		Y		L	
	mm	in.	mm	in.	mm	in.
T2-50X7	7	0.28	56	2.20	49	1.93
T2-50X10	10	0.39	62	2.44	52	2.05
T2-50X13	12.7	0.50	67.4	2.65	55	2.17
T2-50X15	15	0.59	72	2.83	57	2.24
T2-50X19	19	0.75	80	3.15	61	2.40
T2-50X25	25	0.98	92	3.62	67	2.64
T2-50X38	38	1.50	118	4.65	80	3.15
T2-50X50	50	1.97	142	5.59	92	3.62
T2-50X63	63.5	2.50	172	6.77	108.5	4.27
T2-50X75	75	2.95	195	7.68	120	4.72
T2-50X80	80	3.15	205	8.07	125	4.92
T2-50X100	100	3.94	245	9.65	145	5.71
T2-50X125	125	4.92	295	11.61	170	6.69

## T2-50 Contact Force

Color	Charge Pressure		Contact Force		Full Stroke Force	
	Bar	psi	N	lbs.	N	lbs.
Yellow	180	2610	500	112	730	164
Red	135	1960	380	86	540	121
Blue	90	1305	250	56	360	81
Green	45	650	130	29	180	41
Black*	20-180	290-2610	60-500	13-112	84-730	19-164

\*Custom Pressure: Please specify charging pressure or contact force required.



**T2-50 Ordering Options**

T2-50X25	—	FCR	—	Yellow
Model X Stroke		Mount		Color
See Dimensional Information Chart		FCR		Yellow Red Blue Green Black

All gas springs shipped at maximum charge pressure unless otherwise specified.

**Note:** Hyson Products recommends that T2 gas springs are backed up at all times. Stroke lengths of 25 mm/0.98 in. or greater should be base or flange mounted.  
 All dimensions are nominal. Data shown are typical. Actual data for any particular unit may vary.

# T2SS2-16 and T2SS2-16-GM

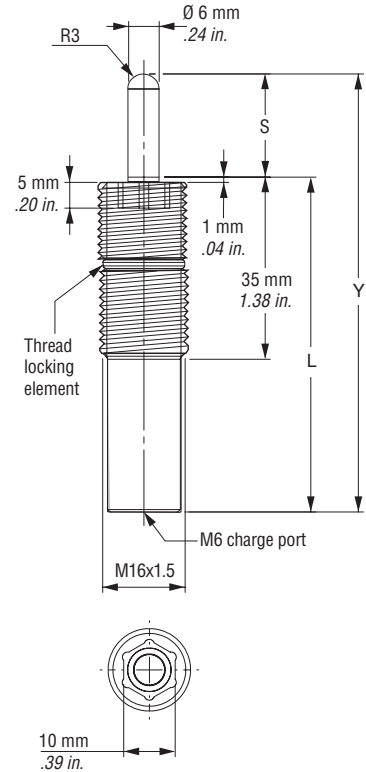


**Installation Tool for T2SS2-16**

Order No. T2-3021000

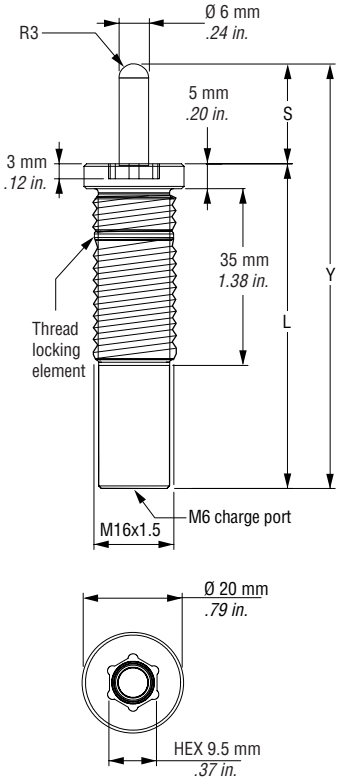
## Product Specifications

Pressure Medium.....Nitrogen Gas  
 Charging Pressure  
 Range.....Max.: 150 bar/2175 psi  
 Min.: 20 bar/290 psi  
 Maximum Operating  
 Temperature.....80°C/176°F  
 Force Increase by  
 Temperature.....+/-0.3% per degree C  
 Maximum Strokes/Minute.....100 at 20°C  
 Maximum Piston Rod  
 Velocity .....96 m/min.  
 315 ft/min.  
 Maximum Utilized Stroke ..... 100%  
 Repair Kit ..... Not repairable  
 Inlet Valve ..... 4018112



## T2SS2-16 Dimensional Information

Part Number Model X Stroke	Stroke S		Y		L	
	mm	in.	mm	in.	mm	in.
T2SS2-16X10	10	0.39	65	2.56	55	2.17
T2SS2-16X20	20	0.79	85	3.35	65	2.56
T2SS2-16X30	30	1.18	105	4.13	75	2.95
T2SS2-16X40	40	1.57	125	4.92	85	3.35
T2SS2-16X50	50	1.97	145	5.71	95	3.74
T2SS2-16X60	60	2.36	165	6.50	105	4.13
T2SS2-16X70	70	2.76	185	7.28	115	4.53
T2SS2-16X80	80	3.15	205	8.07	125	4.92
T2SS2-16X100	100	3.94	245	9.65	145	5.71
T2SS2-16X125	125	4.92	295	11.61	170	6.69



**T2SS2-16-GM Dimensional Information**

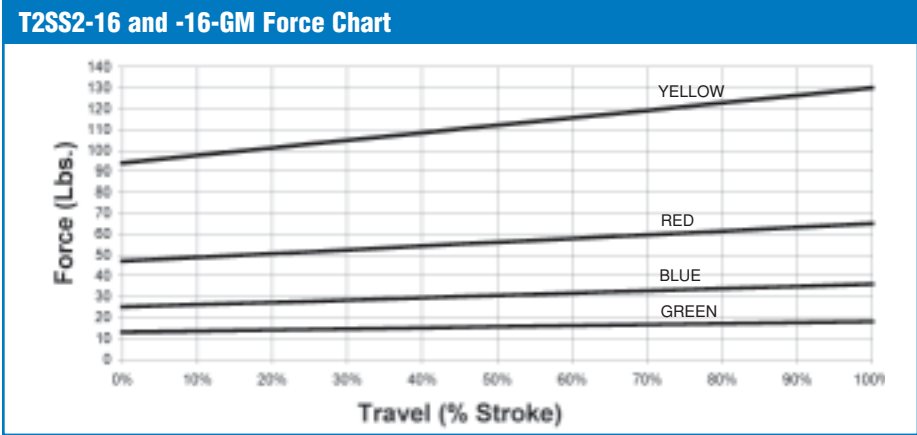
Part Number Model X Stroke	Stroke S		Y		L	
	mm	in.	mm	in.	mm	in.
T2SS2-16X10-GM	10	0.39	65	2.56	55	2.17
T2SS2-16X15-GM*	15	.59	75	2.95	60	2.36
T2SS2-16X20-GM	20	0.79	85	3.35	65	2.56
T2SS2-16X30-GM	30	1.18	105	4.13	75	2.95
T2SS2-16X40-GM	40	1.57	125	4.92	85	3.35
T2SS2-16X50-GM	50	1.97	145	5.71	95	3.74
T2SS2-16X60-GM	60	2.36	165	6.50	105	4.13
T2SS2-16X70-GM	70	2.76	185	7.28	115	4.53
T2SS2-16X80-GM	80	3.15	205	8.07	125	4.92
T2SS2-16X100-GM	100	3.94	245	9.65	145	5.71
T2SS2-16X125-GM	125	4.92	295	11.61	170	6.69

\*Note: Conforms to GM 90.80.45 Global Die Standard.



**Installation Tool for T2SS2-16-GM**

Order No. T2SS16-IT  
Features 9.5 mm Hex with through hole, and ratchet.



**T2SS2-16 and -16-GM Ordering Options**

T2SS2-16X10	—	Blue
Model X Stroke		Color
See Dimensional Information Charts		Yellow Red Blue Green Black

All gas springs shipped at maximum charge pressure unless otherwise specified.

**Note:** Hyson Products recommends that T2 gas springs are backed up at all times. Stroke lengths of 25 mm/0.98 in. or greater should be base or flange mounted.  
All dimensions are nominal. Data shown are typical. Actual data for any particular unit may vary.

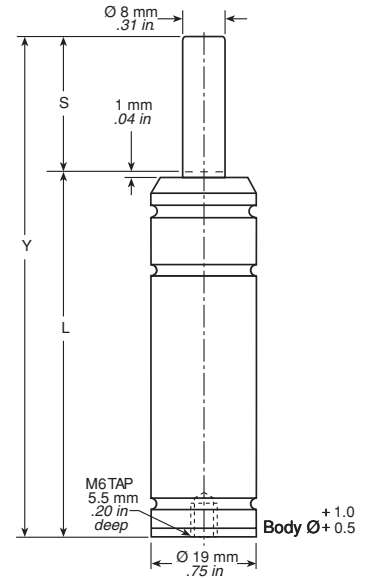
# T2-90



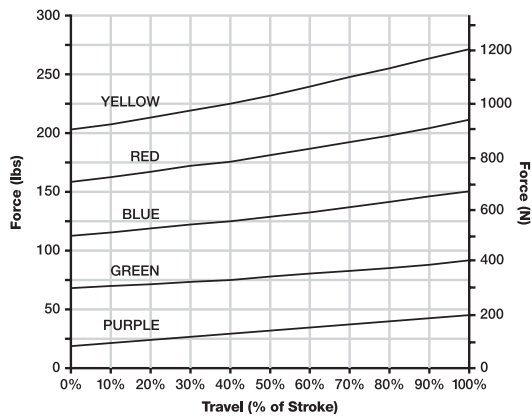
## Product Specifications

Pressure Medium.....Nitrogen Gas  
 Charging Pressure  
 Range.....Max.: 180 bar/2610 psi  
 Min.: 18 bar/260 psi  
 Maximum Operating  
 Temperature.....80° C/176° F  
 Force Increase by  
 Temperature.....+/- 0.3% per degree C  
 Maximum Strokes/Minute..... 100-150 at 20° C  
 Maximum Piston Rod  
 Velocity ..... 96 m/min.  
 315 ft/min.  
 Maximum Utilized Stroke ..... 100%  
 Repair Kit ..... Not repairable

## Drop-In Mount



## T2-90 Force Chart



## T2-90 Dimensional Information

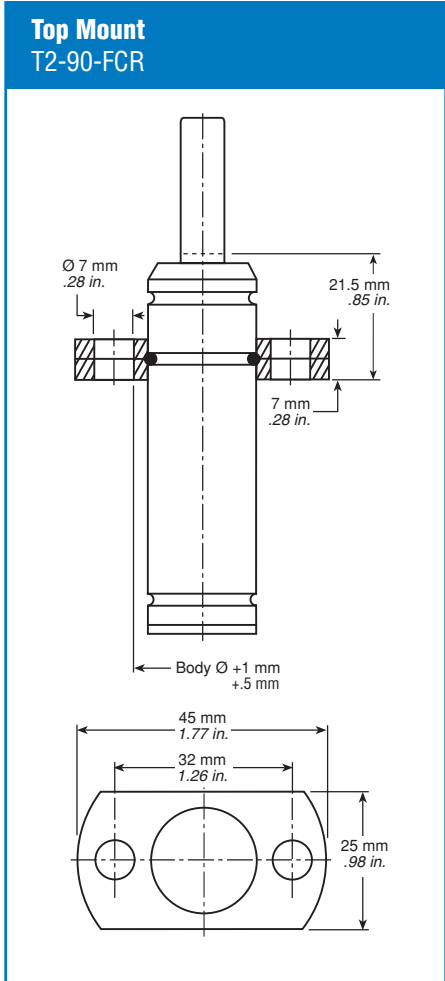
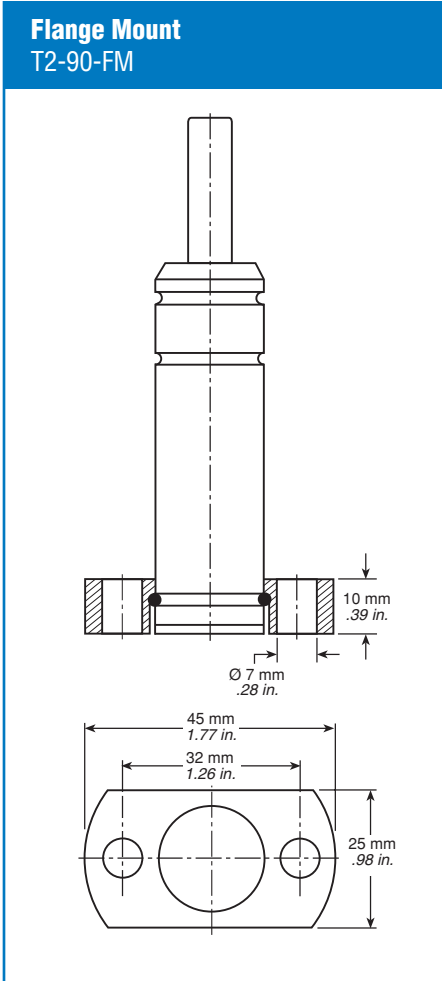
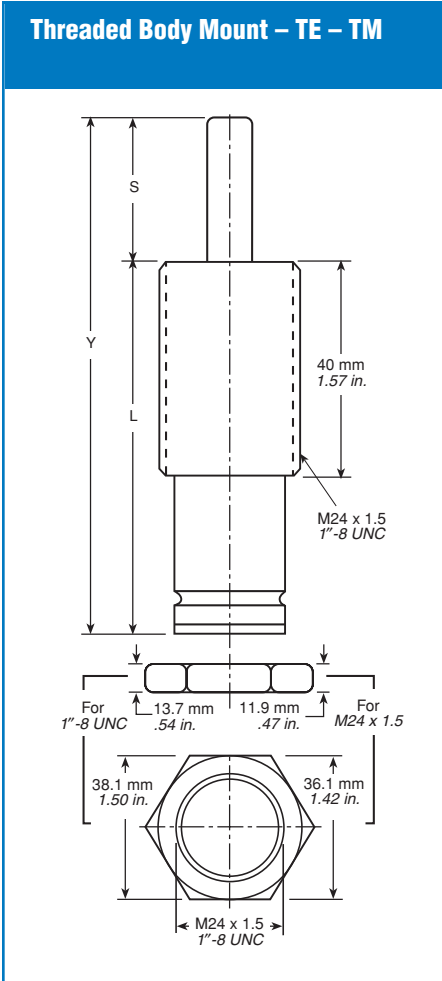
Part Number Model X Stroke	Stroke S		Y		L	
	mm	in.	mm	in.	mm	in.
T2-90X7	7	0.28	56	2.20	49	1.93
T2-90X10	10	0.39	62	2.44	52	2.05
T2-90X15	15	0.59	72	2.83	57	2.24
T2-90X25	25	0.98	92	3.62	67	2.64
T2-90X38	38.1	1.50	118.2	4.65	80.1	3.15
T2-90X50	50	1.97	142	5.59	92	3.62
T2-90X63	63.5	2.50	169	6.65	105.5	4.15
T2-90X80	80	3.15	205	8.07	125	4.92
T2-90X100	100	3.94	245	9.65	145	5.71
T2-90X125	125	4.92	295	11.61	170	6.69

## T2-90 Contact Force

Color	Charge Pressure		Contact Force	
	Bar	psi	N	lbs.
Yellow	180	2610	905	203
Red	140	2030	704	158
Blue	100	1450	503	113
Green	60	870	302	68
Purple	18	260	89	20
Black*	18-180	260-2610	89-905	20-203

\*Custom Pressure: Please specify charging pressure or contact force required.





**Installation Tool for T2-90**

Order No. 503497

### T2-90 Ordering Options

T2-90X50	—	FCR	—	Red
Model X Stroke		Mount		Color
See Dimensional Information Chart		FM FCR TE TM		Yellow Red Blue Green Purple Black

All gas springs shipped at maximum charge pressure unless otherwise specified.

**Note:** Hyson Products recommends that T2 gas springs are backed up at all times. Stroke lengths of 25 mm/0.98 in. or greater should be base or flange mounted.  
*All dimensions are nominal. Data shown are typical. Actual data for any particular unit may vary.*

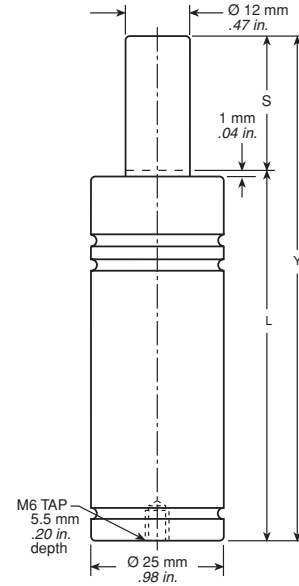
# T2-180



## Product Specifications

Pressure Medium..... Nitrogen Gas  
 Charging Pressure  
 Range..... Max.: 180 bar/2610 psi  
 Min.: 25 bar/360 psi  
 Maximum Operating  
 Temperature..... 80° C/176° F  
 Force Increase by  
 Temperature..... +/- 0.3% per degree C  
 Maximum Strokes/Minute..... 80-100 at 20° C  
 Maximum Piston Rod  
 Velocity ..... 96 m/min.  
 315 ft/min.  
 Maximum Utilized Stroke..... 100%  
 Repair Kit..... T2SK2-180  
 Inlet Valve ..... 4018112

## Drop-In Mount

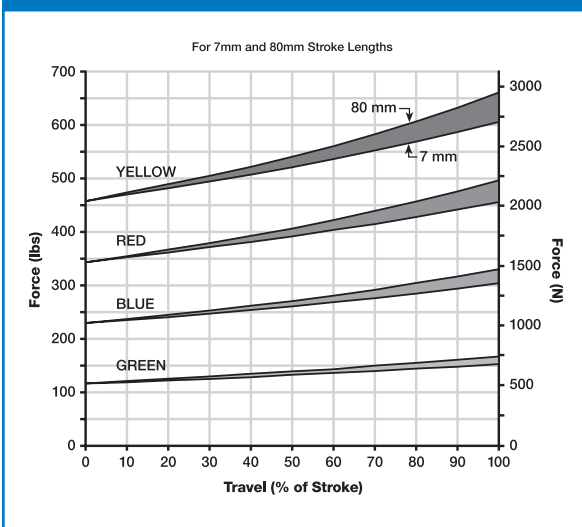


## T2-180 Contact Force

Color	Charge Pressure		Contact Force	
	Bar	psi	N	lbs.
Yellow	180	2610	2036	458
Red	135	1960	1527	343
Blue	90	1305	1018	229
Green	45	655	509	114
Black*	25-180	363-2610	280-2036	63-458

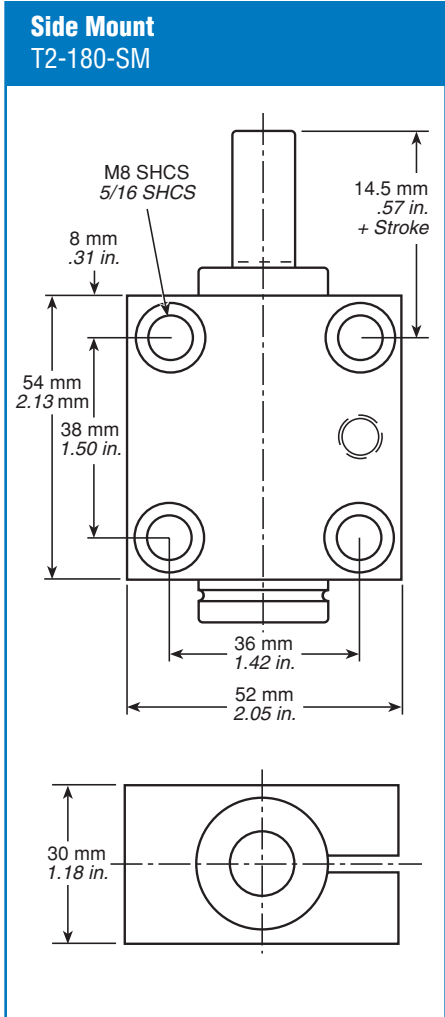
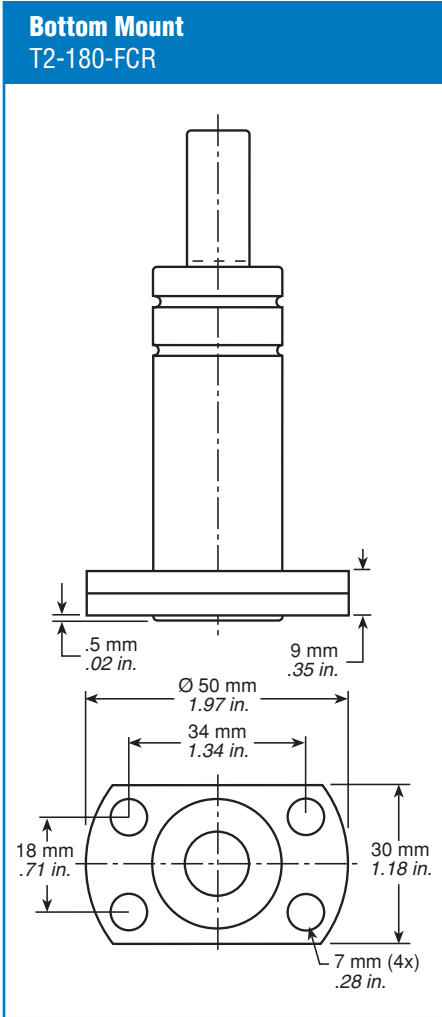
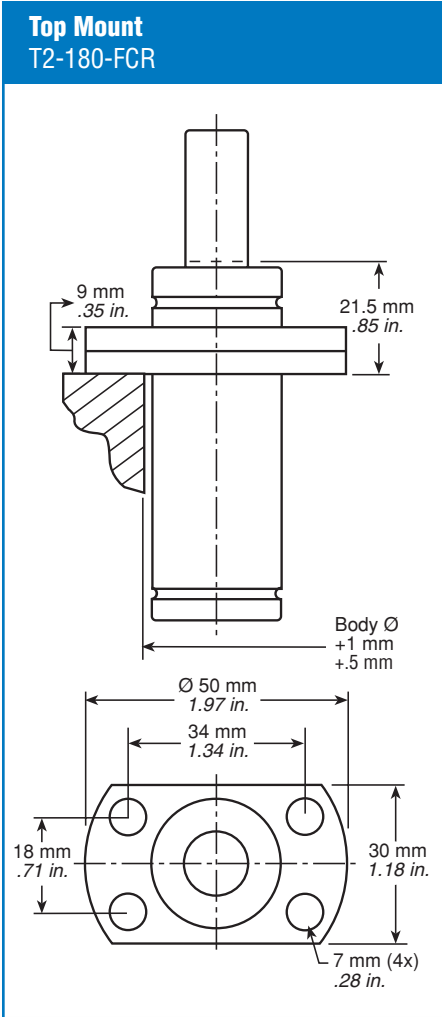
\*Custom Pressure: Please specify charging pressure or contact force required.

## T2-180 Force Chart



## T2-180 Dimensional Information

Part Number Model X Stroke	Stroke S		Y		L	
	mm	in.	mm	in.	mm	in.
T2-180X7	7	0.28	56	2.20	49	1.93
T2-180X10	10	0.39	62	2.44	52	2.05
T2-180X12.7	12.7	0.50	67.4	2.65	54.7	2.15
T2-180X15	15	0.59	72	2.83	57	2.24
T2-180X16	16	0.63	74	2.91	58	2.28
T2-180X25	25	0.98	92	3.62	67	2.64
T2-180X38	38.1	1.50	118.2	4.65	80.1	3.15
T2-180X50	50	1.97	142	5.59	92	3.62
T2-180X63	63.5	2.50	172	6.77	108.5	4.27
T2-180X75	75	2.95	195	7.68	120	4.72
T2-180X80	80	3.15	205	8.07	125	4.92
T2-180X100	100	3.94	245	9.65	145	5.71
T2-180X125	125	4.92	295	11.61	170	6.69



**T2-180 Ordering Options**

T2-180X100	—	SM	—	Blue
Model X Stroke		Mount		Color
See Dimensional Information Chart		SM FCR		Yellow Red Blue Green Black

All gas springs shipped at maximum charge pressure unless otherwise specified.

**Note:** Hyson Products recommends that T2 gas springs are backed up at all times. Stroke lengths of 25 mm/0.98 in. or greater should be base or flange mounted.

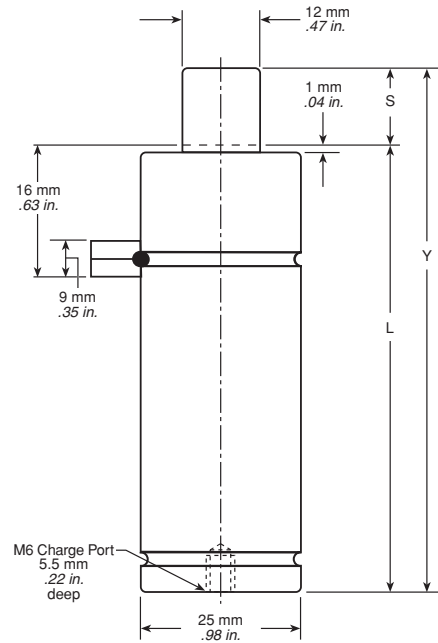
All dimensions are nominal. Data shown are typical. Actual data for any particular unit may vary.

# T2SC-420



## Product Specifications

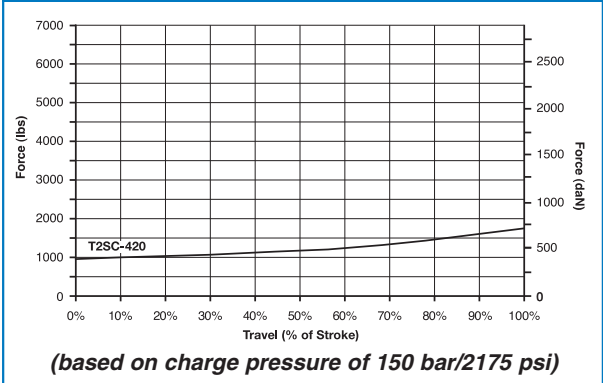
Pressure Medium..... Nitrogen Gas  
 Charging Pressure Range..... Max.: 150 bar/2175 psi  
 Min.: 25 bar/360 psi  
 Maximum Operating Temperature..... 80° C/176° F  
 Maximum Strokes/Minute..... 100 at 20° C  
 Force Increase by Temperature..... +/- 0.3% per degree C  
 Maximum Piston Rod Velocity ..... 30 m/min.  
 98.5 ft/min.  
 Maximum Utilized Stroke ..... 100%  
 Repair Kit ..... Not repairable  
 Inlet Valve ..... 4018112

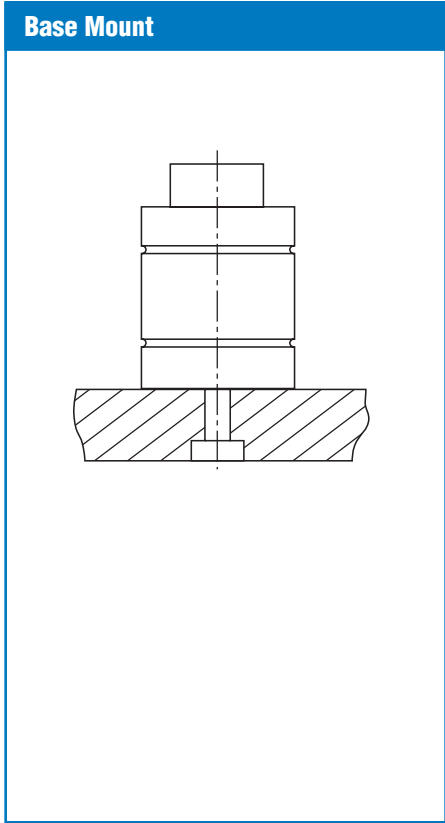
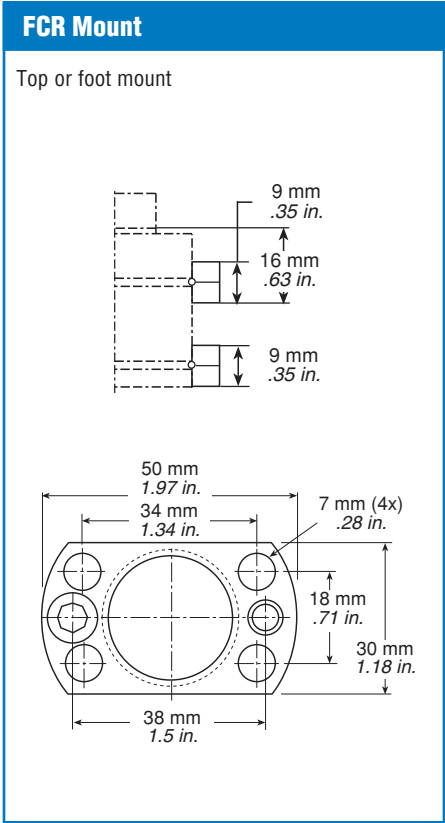
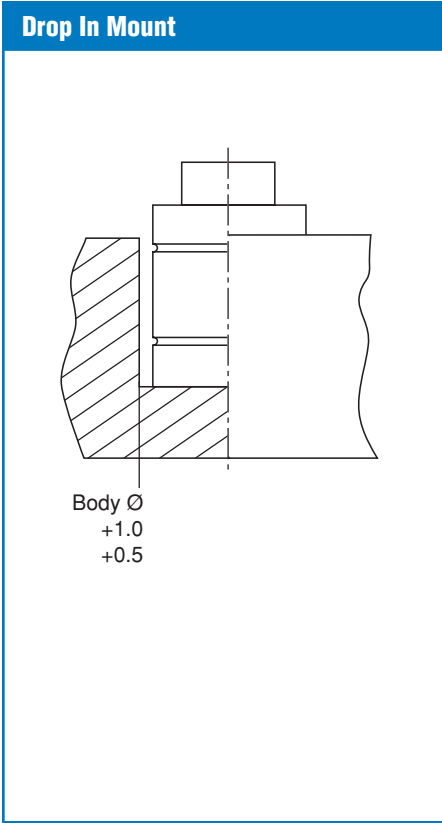


## T2SC-420 Dimensional Information

Part Number Model X Stroke	Stroke S		Contact Force		Full Stroke Force		Y		L	
	mm	in.	N	lbs.	N	lbs.	mm	in.	mm	in.
T2SC-420X6	6	0.24	4250	955	7000	1575	56	2.20	50	1.97
T2SC-420X10	10	0.39			6900	1550	70	2.76	60	2.36
T2SC-420X16	16	0.63			6900	1550	91	3.58	75	2.95
T2SC-420X25	25	0.98			6900	1550	120	4.72	95	3.74
T2SC-420X32	32	1.26			7600	1700	140	5.51	108	4.25
T2SC-420X40	40	1.57			7600	1700	165	6.50	125	4.92
T2SC-420X50	50	1.97			7600	1700	195	7.68	145	5.71

## T2SC-420 Force Chart





**T2SC-420 Ordering Options**

T2SC-420X25	—	FCR	—	2175
<b>Model X Stroke</b>		<b>Mount</b>		<b>Charge Pressure</b>
See Dimensional Information Chart		FCR		Max. 150 bar 2175 psi

All gas springs shipped at maximum charge pressure unless otherwise specified.

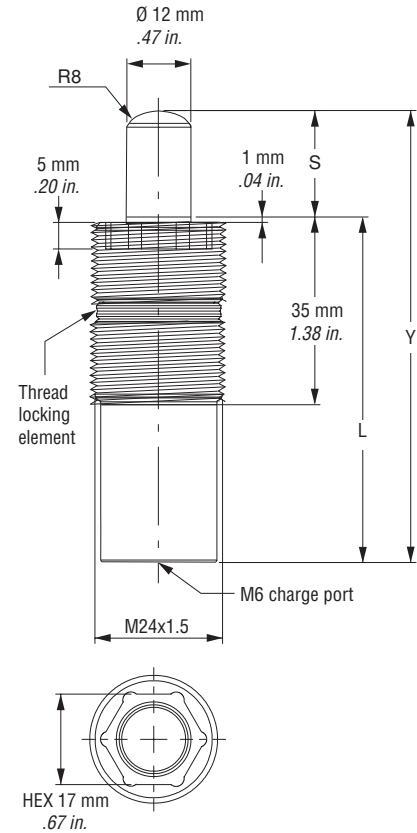
**Note:** Hyson Products recommends that T2 gas springs are backed up at all times. Stroke lengths of 25 mm/0.98 in. or greater should be base or flange mounted.  
 All dimensions are nominal. Data shown are typical. Actual data for any particular unit may vary.

# T2SS2-24



## Product Specifications

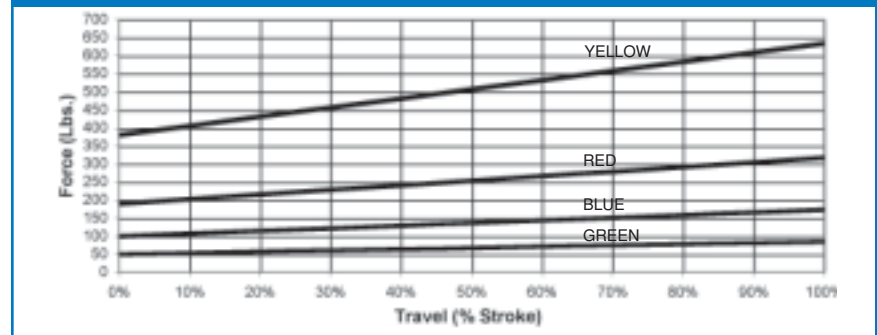
Pressure Medium.....Nitrogen Gas  
 Charging Pressure  
 Range.....Max.: 180 bar/2610 psi  
 Min.: 6 bar/87 psi  
 Maximum Operating  
 Temperature.....80°C/176°F  
 Force Increase by  
 Temperature.....+/-0.3% per degree C  
 Maximum Strokes/Minute.....100 at 20°C  
 Maximum Piston Rod Velocity..... 96 m/min.  
 315 ft/min.  
 Maximum Utilized Stroke..... 100%  
 Repair Kit..... Not repairable  
 Inlet Valve ..... 4018112

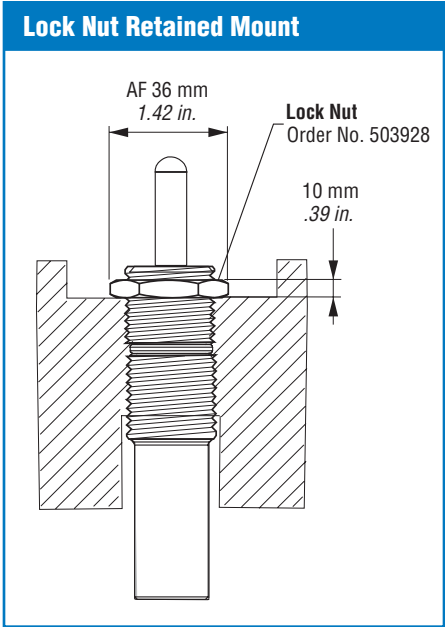
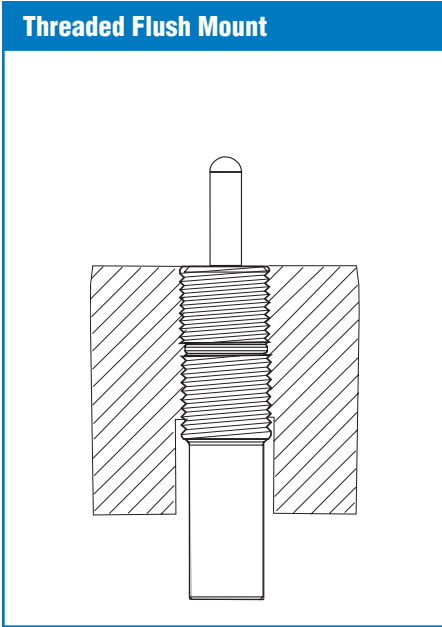


## T2SS2-24 Dimensional Information

Part Number Model X Stroke	Stroke S		Y		L	
	mm	in.	mm	in.	mm	in.
T2SS2-24X10	10	0.39	65	2.56	55	2.17
T2SS2-24X20	20	0.79	85	3.35	65	2.56
T2SS2-24X30	30	1.18	105	4.13	75	2.95
T2SS2-24X40	40	1.57	125	4.92	85	3.35
T2SS2-24X50	50	1.97	145	5.71	95	3.74
T2SS2-24X60	60	2.36	165	6.50	105	4.13
T2SS2-24X70	70	2.76	185	7.28	115	4.53
T2SS2-24X80	80	3.15	205	8.07	125	4.92
T2SS2-24X100	100	3.94	245	9.65	145	5.71
T2SS2-24X125	125	4.92	295	11.61	170	6.69

## T2SS2-24 Force Chart





**Installation Tool for T2SS2-24**

Order No. T2-3021000

**T2SS2-24 Ordering Options**

T2SS2-24X50	—	Yellow
<b>Model X Stroke</b>		<b>Color</b>
See Dimensional Information Chart		Yellow
		Red
		Blue
		Green
		Black

All gas springs shipped at maximum charge pressure unless otherwise specified.

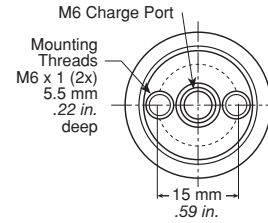
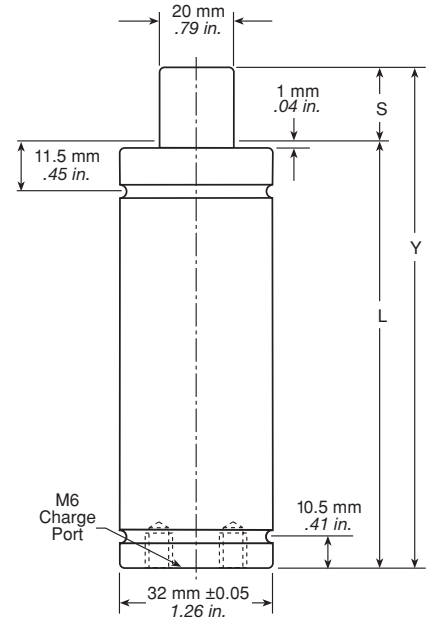
**Note:** Hyson Products recommends that T2 gas springs are backed up at all times. Stroke lengths of 25 mm/0.98 in. or greater should be base or flange mounted.  
 All dimensions are nominal. Data shown are typical. Actual data for any particular unit may vary.

# T2SC-740



## Product Specifications

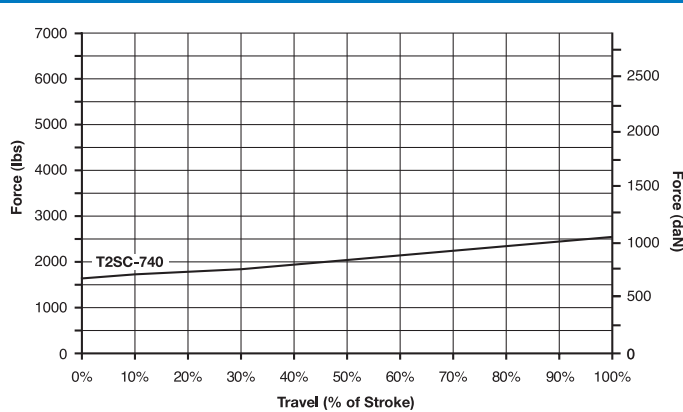
Pressure Medium.....Nitrogen Gas  
 Charging Pressure  
 Range.....Max.: 150 bar/2175 psi  
 Min.: 25 bar/360 psi  
 Maximum Operating  
 Temperature.....80°C/176°F  
 Force Increase by  
 Temperature.....+/-0.3% per degree C  
 Maximum Strokes/Minute.....100 at 20°C  
 Maximum Piston Rod  
 Velocity ..... 30 m/min.  
 98.5 ft/min.  
 Maximum Utilized Stroke ..... 100%  
 Repair Kit ..... Not repairable  
 Inlet Valve ..... 4018112



## T2SC-740 Dimensional Information

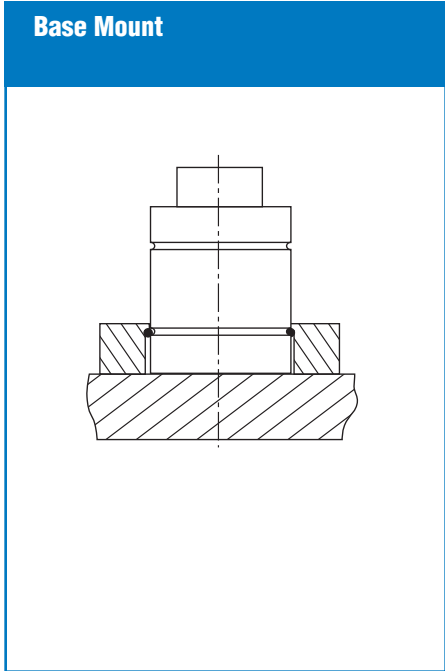
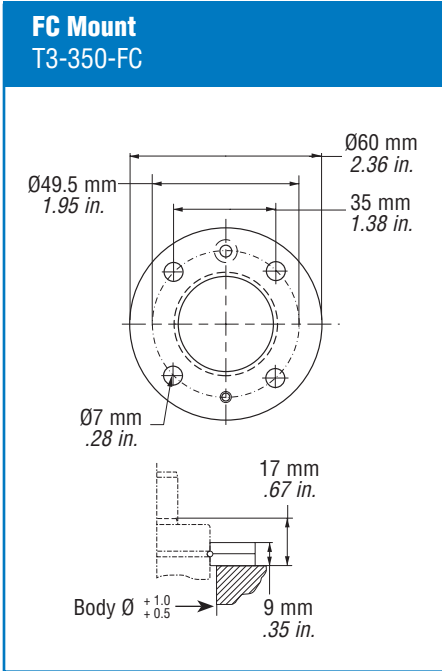
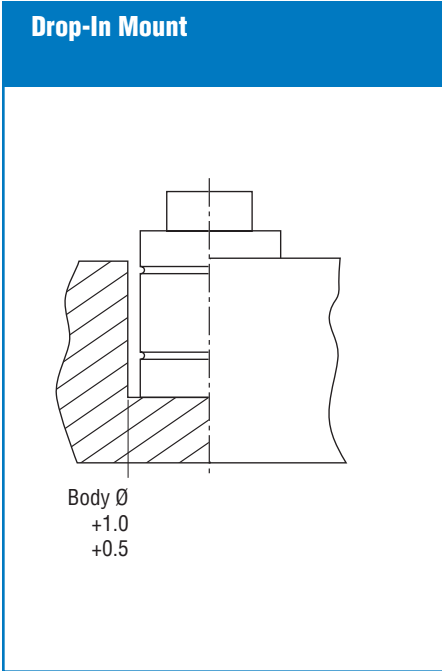
Part Number Model X Stroke	Stroke S		Contact Force		Full Stroke Force		Y		L	
	mm	in.	N	lbs.	N	lbs.	mm	in.	mm	in.
T2SC-740X6	6	0.24	7400	1665	9800	2205	63	2.48	57	2.24
T2SC-740X10	10	0.39			10000	2250	75	2.95	65	2.56
T2SC-740X16	16	0.63			11000	2475	93	3.66	77	3.03
T2SC-740X25	25	0.98			12000	2700	120	4.72	95	3.74
T2SC-740X32	32	1.26			12000	2700	140	5.51	108	4.25
T2SC-740X40	40	1.57			12000	2700	165	6.50	125	4.92
T2SC-740X50	50	1.97			12000	2700	195	7.68	145	5.71

## T2SC-740 Force Chart



*(based on charge pressure of 150 bar/2175 psi)*





**T2SC-740 Ordering Options**

T2SC-740X40	—	FC	—	2175
<b>Model X Stroke</b>		<b>Mount</b>		<b>Charge Pressure</b>
See Dimensional Information Chart		FC		Max. 150 bar 2175 psi

All gas springs shipped at maximum charge pressure unless otherwise specified.

**Note:** Hyson Products recommends that T2 gas springs are backed up at all times.  
 Stroke lengths of 25 mm/0.98 in. or greater should be base or flange mounted.  
 All dimensions are nominal. Data shown are typical. Actual data for any particular unit may vary.

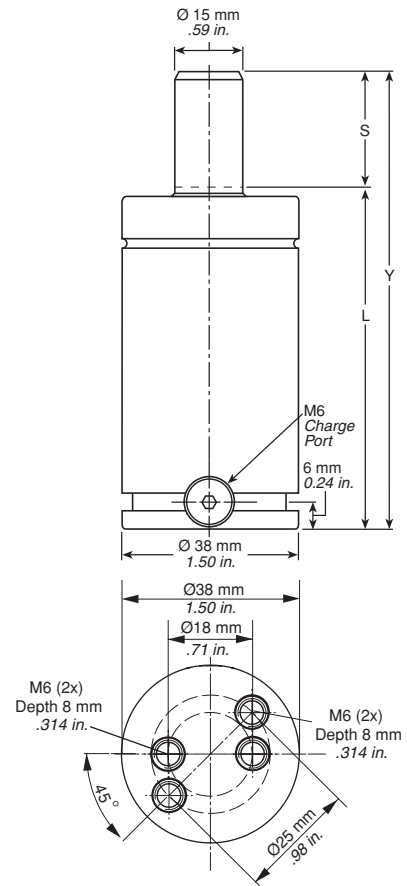
# T2L-300



## Product Specifications

Pressure Medium.....Nitrogen Gas  
 Charging Pressure  
 Range.....Max.: 150 bar/2175psi  
                   Min.: 50 bar/725 psi  
  
 Maximum Operating  
 Temperature.....80° C/176° F  
 Maximum Piston Rod  
 Velocity ..... 96 m/min.  
                   315 ft/min.  
  
 Maximum Utilized Stroke ..... 100%  
 Maximum Strokes per Minute..80-100 at 20° C  
 Repair Kit ..... T2LSK-300  
 Inlet Valve ..... 4018112

## Drop-in Mount

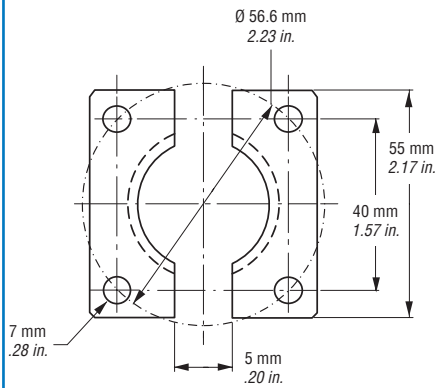
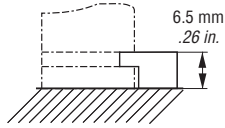


## T2L-300 Dimensional Information

Part Number Model X Stroke	Stroke S		Contact Force		Y		L	
	mm	in.	N	lbs.	mm	in.	mm	in.
T2L-300 X 0.25	6.4	0.25	2650	595	62.7	2.47	56.4	2.22
T2L-300 X 10	10.0	0.39	2650	595	70.0	2.76	60.0	2.36
T2L-300 X 0.5	12.7	0.50	2650	595	75.4	2.97	62.7	2.47
T2L-300 X 16	16.0	0.63	2650	595	82.0	3.23	66.0	2.60
T2L-300 X 0.75	19.1	0.75	2650	595	88.1	3.47	69.1	2.72
T2L-300 X 25	25.0	0.98	2650	595	100.0	3.94	75.0	2.95
T2L-300 X 1	25.4	1.00	2650	595	100.8	3.97	75.4	2.97
T2L-300 X 1.5	38.1	1.50	2650	595	126.2	4.97	88.1	3.47
T2L-300 X 50	50.0	1.97	2650	595	150.0	5.91	100.0	3.94
T2L-300 X 2	50.8	2.00	2650	595	151.6	5.97	100.8	3.97
T2L-300 X 2.5	63.5	2.50	2650	595	177.0	6.97	113.5	4.47
T2L-300 X 3	76.2	3.00	2650	595	202.4	7.97	126.2	4.97
T2L-300 X 80	80.0	3.15	2650	595	210.0	8.27	130.0	5.12
T2L-300 X 3.5	88.9	3.50	2650	595	227.8	8.97	138.9	5.47
T2L-300 X 100	100.0	3.94	2650	595	250.0	9.84	150.0	5.91
T2L-300 X 4	101.6	4.00	2650	595	253.2	9.97	151.6	5.97
T2L-300 X 4.5	114.3	4.50	2650	595	278.6	10.97	164.3	6.47
T2L-300 X 125	125.0	4.92	2650	595	300.0	11.81	175.0	6.89
T2L-300 X 5.0	127.0	5.00	2650	595	304.0	11.97	177.0	6.97

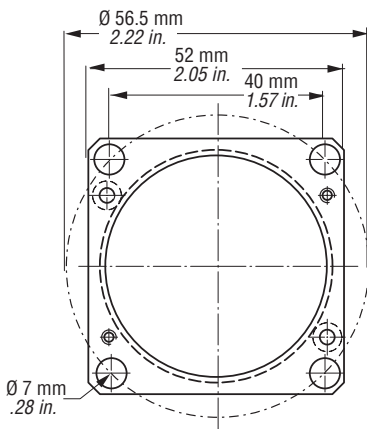
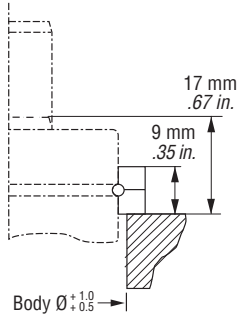
**Note:** For force ratings, refer to T2L&LS Series brochure.

### Lower Square Mount T2-250-FFC



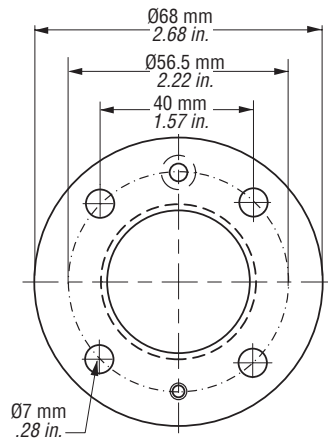
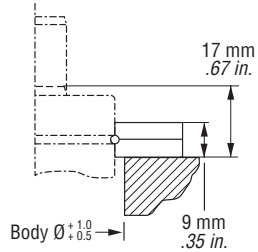
Bottom View

### Upper Square Mount T2-250-FCS



Bottom View

### Upper Round Mount T2-250-FC



Bottom View

### T2L-300 Ordering Options

T2L-300X1.5	—	FCS	—	2175
Model X Stroke		Mount		Charge Pressure
See Dimensional Information Chart		FC FCS FFC		Max. 150 bar 2175 psi

All gas springs shipped at maximum charge pressure unless otherwise specified.

**Note:** Hyson Products recommends that T2 gas springs are backed up at all times. Stroke lengths of 25 mm/0.98 in. or greater should be base or flange mounted.

All dimensions are nominal. Data shown are typical. Actual data for any particular unit may vary.

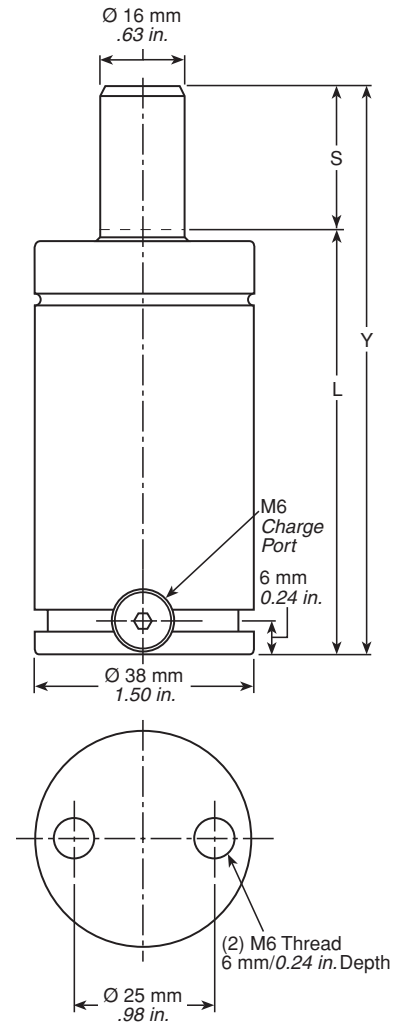
# T2LS-300



## Product Specifications

Pressure Medium..... Nitrogen Gas  
 Charging Pressure  
 Range..... Max.: 150 bar/2175 psi  
                   Min.: 50 bar/725 psi  
 Maximum Operating  
 Temperature..... 80°C/176°F  
 Maximum Piston Rod Velocity..... 96 m/min.  
   315 ft/min.  
 Maximum Utilized Stroke..... 100%  
 Maximum Strokes  
 per Minute..... 80-100 at 20°C  
 Repair Kit..... T2LS-SK-300  
 Inlet Valve..... 4018112

## Drop-In Mount



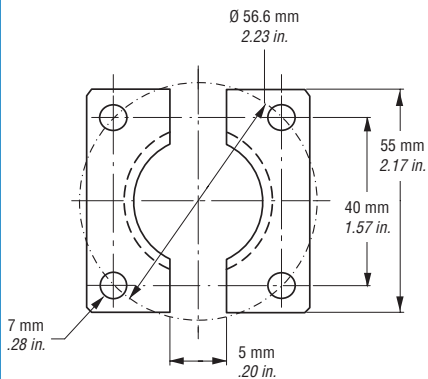
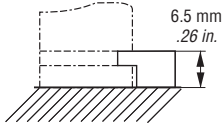
**NOTE:** The T2LS-300 is the only T2LS gas spring that operates in both the self-contained and hoses system modes.

## T2LS-300 Dimensional Information

Part Number Model X Stroke	Stroke S		Contact Force		Y		L	
	mm	in.	N	lb.	mm	in.	mm	in.
T2LS-300 X 12	12.7	0.50	3000	674	55.4	2.18	42.7	1.68
T2LS-300 X 25	25.0	0.98	3000	674	80.0	3.15	55.0	2.17
T2LS-300 X 38	38.1	1.50	3000	674	106.2	4.18	68.1	2.68
T2LS-300 X 50	50.0	1.97	3000	674	130.0	5.12	80.0	3.15
T2LS-300 X 63	63.5	2.50	3000	674	157.0	6.18	93.5	3.68
T2LS-300 X 80	80.0	3.15	3000	674	190.0	7.48	110.0	4.33
T2LS-300 X 100	100.0	3.94	3000	674	230.0	9.06	130.0	5.12

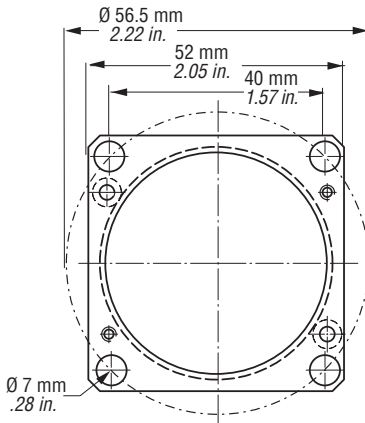
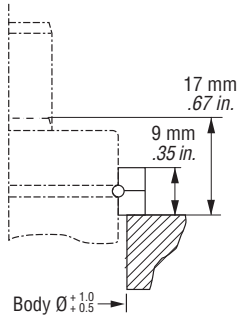
**Note:** For force ratings, refer to T2L&LS Series brochure.

## Lower Square Mount T2-250-FFC



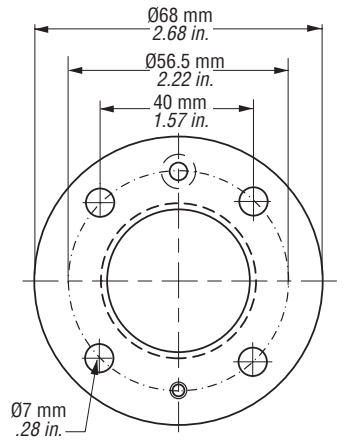
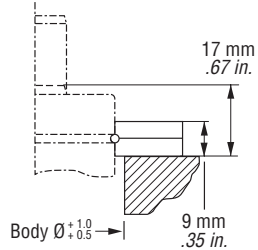
Bottom View

## Upper Square Mount T2-250-FCS



Bottom View

## Upper Round Mount T2-250-FC



Bottom View

### T2LS-300 Ordering Options

T2LS-300X1.5	—	FCS	—	2175
Model X Stroke		Mount		Charge Pressure
See Dimensional Information Chart		FC FCS FFC		Max. 150 bar 2175 psi

All gas springs shipped at maximum charge pressure unless otherwise specified.

**Note:** Hyson Products recommends that T2 gas springs are backed up at all times. Stroke lengths of 25 mm/0.98 in. or greater should be base or flange mounted.

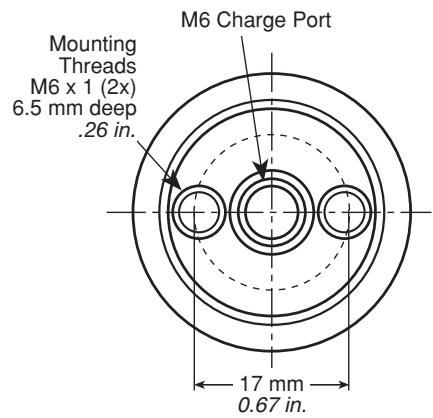
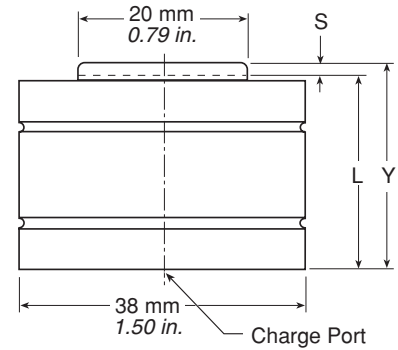
All dimensions are nominal. Data shown are typical. Actual data for any particular unit may vary.

# T2SC-1000



## Product Specifications

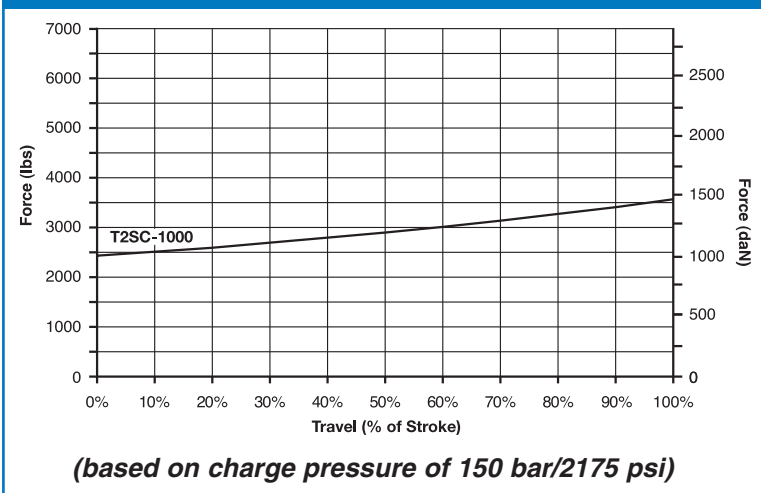
Pressure Medium.....Nitrogen Gas  
 Charging Pressure  
 Range.....Max.: 150 bar/2175 psi  
 Min.: 25 bar/362 psi  
 Maximum Operating  
 Temperature.....80° C/176° F  
 Maximum Strokes/Minute.....100 at 20° C  
 Force Increase by  
 Temperature.....+/- 0.3% per degree C  
 Maximum Piston Rod  
 Velocity ..... 30 m/min.  
 98.5 ft/min.  
 Maximum Utilized Stroke ..... 100%  
 Repair Kit ..... T2SCSK-1000  
 Inlet Valve ..... 4018112



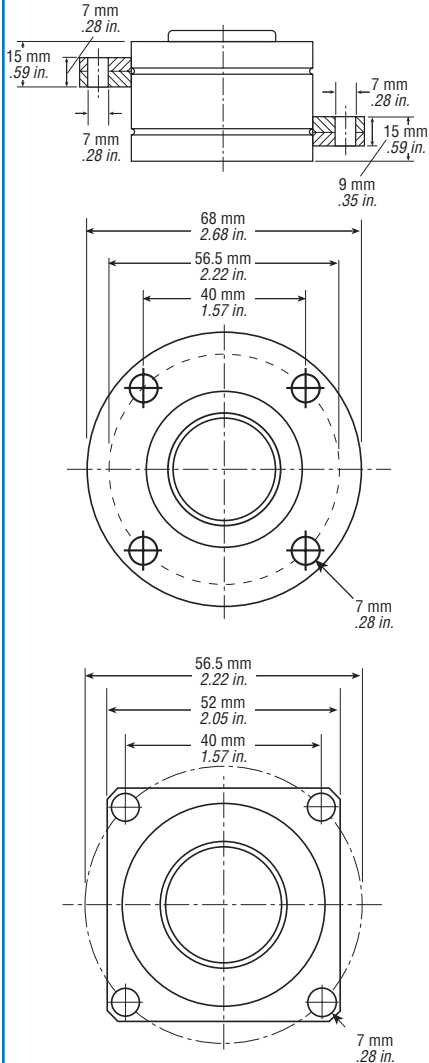
## T2SC-1000 Dimensional Information

Part Number Model X Stroke	Stroke S		Contact Force		Full Stroke Force		Y		L	
	mm	in.	N	lbs.	N	lbs.	mm	in.	mm	in.
T2SC-1000X6	6	0.24	10580	2380	15980	3595	61	2.40	55	2.17
T2SC-1000X10	10	0.39					78	3.07	68	2.68
T2SC-1000X16	16	0.63					100	3.94	84	3.31
T2SC-1000X25	25	0.98					135	5.31	110	4.33
T2SC-1000X32	32	1.26					167	6.57	135	5.31
T2SC-1000X40	40	1.57					195	7.68	155	6.10
T2SC-1000X50	50	1.97					230	9.08	180	7.09

## T2SC-1000 Force Chart

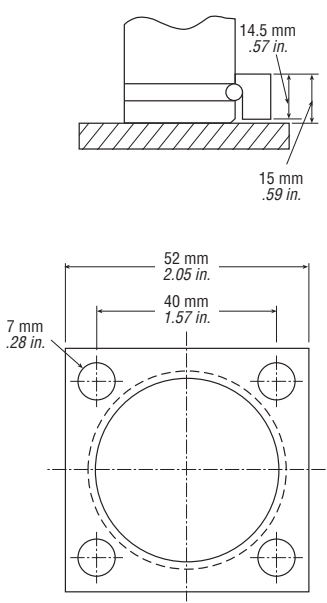


### FC, FCS Mounts T2-250-FC, T2-250-FCS

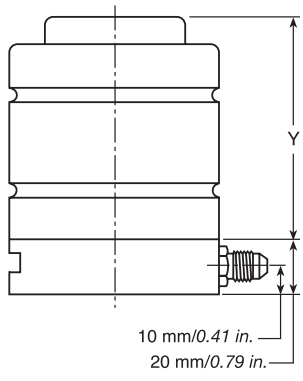


**Note:** These flange mounts are attached to the top groove unless otherwise specified.

### BF Mount T2SC-1000-BF

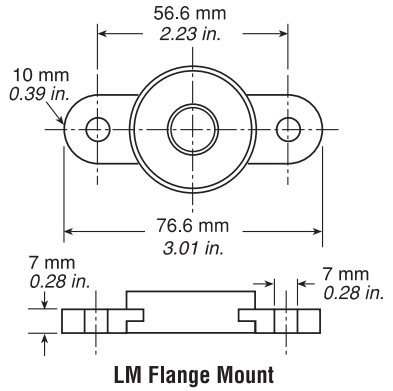


### Hosed System Mounts Adapter Plate T2SC-1000-SP



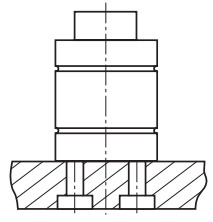
**Note:** To connect the T2SC gas spring in a hoses system, a G1/8 service fitting is required. Order NF-1000-4-G1/8 for JIC style or 9106252-F for o-ring face seal style.

### Bottom Flange for Side Port Adapter Plate

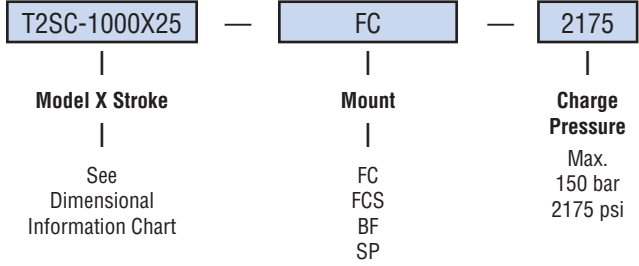


**Note:** This flange is sold separately and shipped unattached to gas spring.

### Base Mount



### T2SC-1000 Ordering Options



All gas springs shipped at maximum charge pressure unless otherwise specified.

**Note:** Hyson Products recommends that T2 gas springs are backed up at all times. Stroke lengths of 25 mm/0.98 in. or greater should be base or flange mounted.

All dimensions are nominal. Data shown are typical. Actual data for any particular unit may vary.

# Dynamic Solutions



Super Tanker® Gas Springs



Nitro-Dyne® XP Manifolds



Mini Manifolds



Force Manager™ Systems



T3 Gas Springs



Adaptive Cams



Mechanical Cams



T2 Standard Gas Springs



Controllable Systems



Lift Strut Gas Springs



Accessories



ISO Die Springs

# For a Global Market



**Hyson® Products**  
Associated Spring 

10367 Brecksville Road, Brecksville, Ohio 44141 • [www.hysonproducts.com](http://www.hysonproducts.com)  
Toll Free: 1-800-876-4976 • 440/526-5900 • FAX: 440/838-7684 • Email: [hyson@asbg.com](mailto:hyson@asbg.com)

© Hyson Products 2006  
MiniSeries5M0306