

T2SS-16 Series

Replaces
mechanical
stock lifters!

For stock lifting and part ejecting

- Complete force adjustability.
- Seals perform at low pressure ranges.
- Rounded rod provides optimal performance, with side loading up to 5 degrees.
- Shorter overall spring length than coil springs.
- Full rated force on contact.

Product Specifications

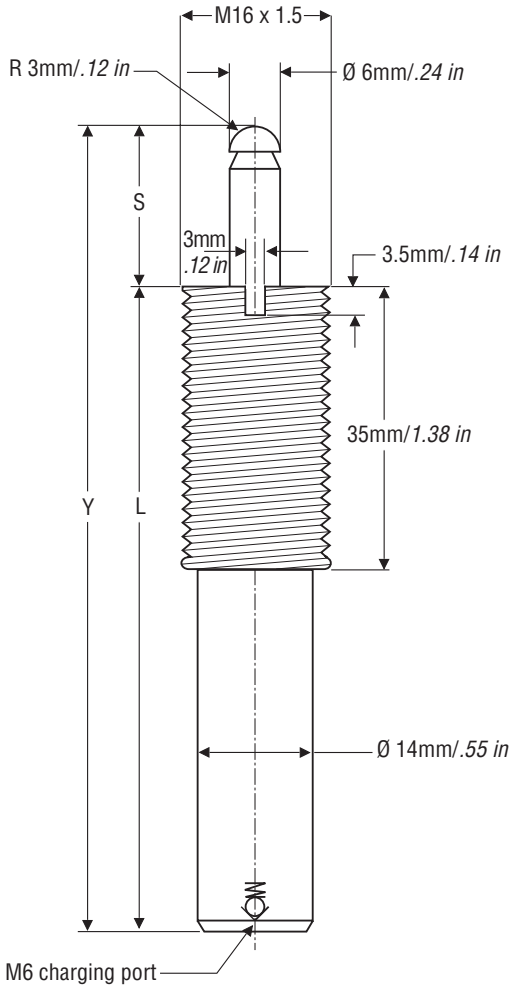
Pressure Medium	Nitrogen
Charging Pressure Range	Max.: 150 bar/2175 psi Min.: 20 bar/290 psi
Operating Temperature Range	0-80° C/32-176° F
Maximum Strokes/Minute	Approx. 100 (model and stroke dependent)
Maximum Piston Rod Velocity	48 m/min. 157 ft/min.
Maximum Utilized Stroke	100%
Repair Kit	Non-rebuildable
Quick Disconnect Charge Fitting	T2-90/180-M6
Installation Tool	T2-3018432



Hyson™ Products
Associated Spring 



Dynamic Solutions For a Global Market™



T2SS-16 Dimensional Information

Hyson Part Number	S		Y		L	
	mm	in	mm	in	mm	in
T2SS-16X10	10	0.39	80	3.15	70	2.76
T2SS-16X20	20	0.79	100	3.94	80	3.15
T2SS-16X30	30	1.18	120	4.72	90	3.54
T2SS-16X40	40	1.57	140	5.51	100	3.94
T2SS-16X50	50	1.97	160	6.30	110	4.33
T2SS-16X60	60	2.36	180	7.09	120	4.72
T2SS-16X70	70	2.76	200	7.87	130	5.12
T2SS-16X80	80	3.15	220	8.66	140	5.51
T2SS-16X100	100	3.94	260	10.24	160	6.30

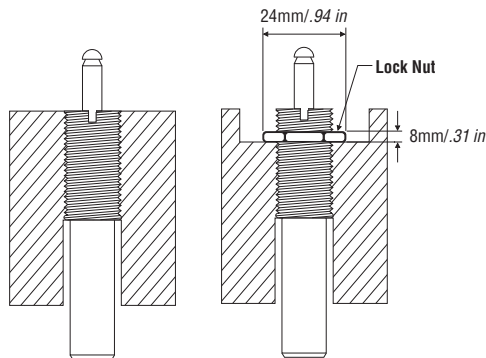
T2SS-16 Standard Charge Pressures

Charging Pressure*		Contact Force		Full Stroke Force	
bar	psi	N	lbs.	N	lbs.
20	290	57	13	75	17
40	580	110	25	150	34
75	1090	210	47	280	63
150	2175	420	94	570	128

*Springs shipped at 150 bar/2175 psi unless otherwise requested on order.

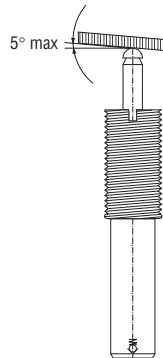
T2SS-16 Ordering Options

T2SS-16 X -
 Model Stroke Charging Pressure
 (mm) (Maximum 150 bar/2175 psi)



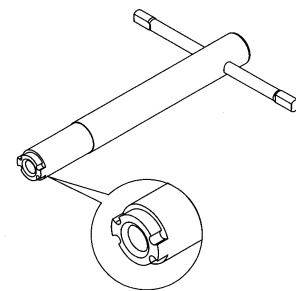
Mounting Options

The T2SS-16 gas spring can be mounted with or without a locknut. The locknut is sold separately, P/N T2SS-M16-1.5.



Installation

The T2SS-16 gas spring features a rounded piston rod design to allow installation when side loading (up to a maximum of 5°) is present.



Assembly Tool (P/N T2-3018432) is designed to be used to mount T2SS-16 gas springs into an M16 threaded pocket.

Note: Do not exceed 40 Nm of torque.

Hyson™ Products
 Associated Spring

10367 Brecksville Road, Brecksville, Ohio 44141
 Toll Free: 1-800-876-4976 • 440-526-5900
 FAX: 440-838-7684 • www.hysonproducts.com