

SPECIAL COOLING MANIFOLD

Optimizing cooling times

Special Cooling Manifold

Design your own Cooling Manifold!

Features

- no loss in pressure due to long hoses or too many flow meters
- efficient parallel moldcooling with shorter cycle times
- easily install and group cooling connections and hoses
- in- and outlets can be connected separately
- hose lengths can be reduced, enabling the molder to work with lower pressure in the system
- cooling manifold can be installed horizontally and vertically



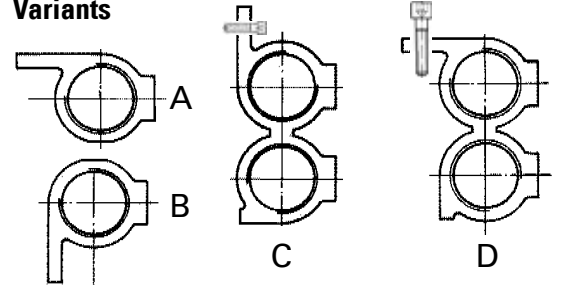
Traditional cooling connection



DME cooling manifold

- One piece Aluminium Extrusion Anodized
- Corrosion resistant / No Welds
- Standard Inlets: 1 1/2" (2 included per system)
- Predrilled Mounting Holes
- Red / Blue Marking plate Included
- Specials upon demand

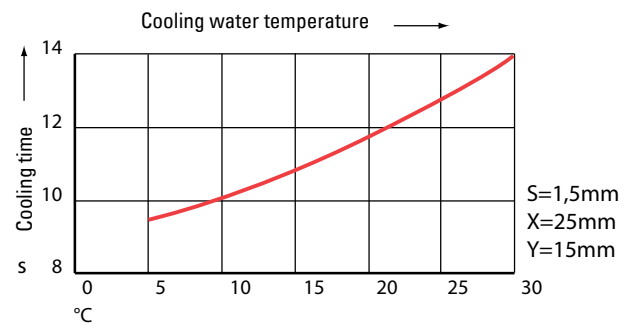
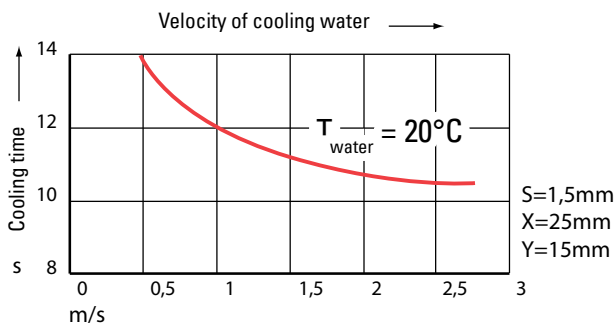
Variants



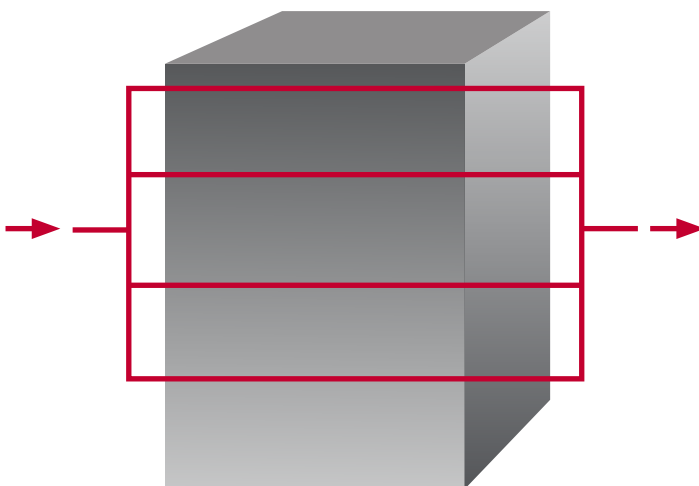
Single option
(Upon request)

Double option
On side of the
mold/machine

Double option
On top of mold/
machine

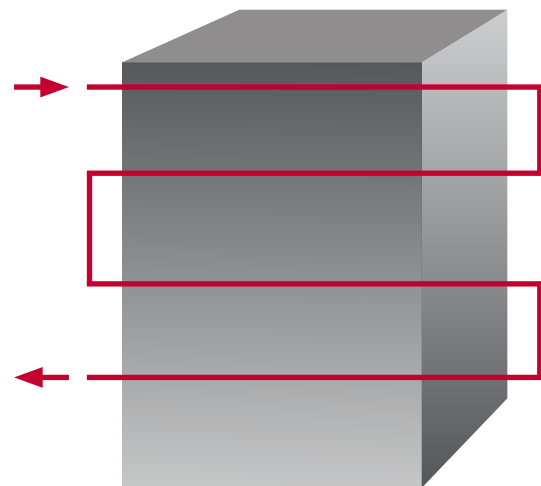


Parallel



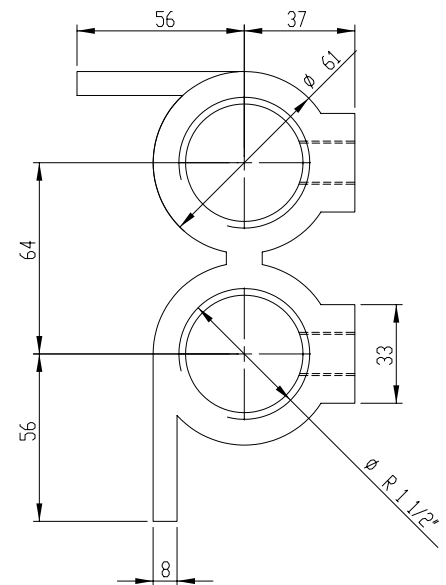
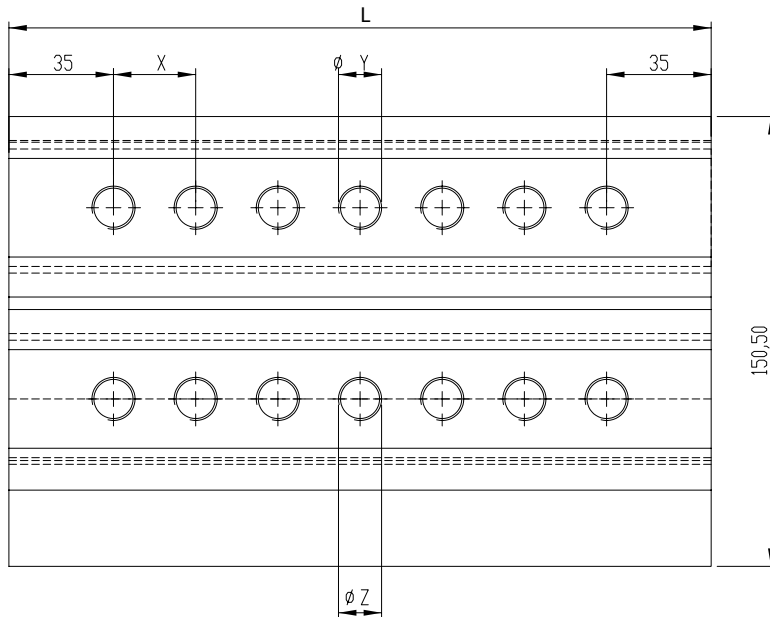
High flow
Low pressure loss

Serial



Low flow
High pressure loss

Cooling Manifold - EXAMPLE



For use	Y/Z	X
Nipple/plug	1/4" 3/8" M14x1,5	27,50 mm
Nipple/plug	1/2" / M16x1,5	33,00 mm
Nipple/plug	3/4" / M24x1,5	50mm
Valves	upon request	Minimum 50 when using collector valves with handle

Cooling Manifold - HOW TO ORDER

- Number of holes per row
- Thread upper row "Y"
- Thread lower row "Z"
- Distance "X"
- Total length manifold
- Manifold type (A, B, C or D - for details see previous page)

Example:	COLM	2x7	3/8	3/8	33	268	(A, B, C, D)
	REF	N° holes	Thread Y	Thread Z	X	Total Length	Manifold type

mandatory info to be supplied by customer

Standard accessories available



Collector Valve with Handle 1/2"
REF: CVH12
For use with X= 41.5 mm



GK Extension Brass 1/2"
Length 50 mm
REF: GKMF12
To be used for second row



FLOW METER with Mechanical Regulation
BSP 1/2" (Female) - BSP 3/4" (Male)
Hexagonal: SW19
Full Length: 81mm
Flow capacity: 2 - 8 lt/min
Temperature Range: +0°C - +100 °C
Working Pressure: max 10 Bar
Springs: Stainless Steel Indicator
Plastic Seals: Buna
Article number: FM 1234



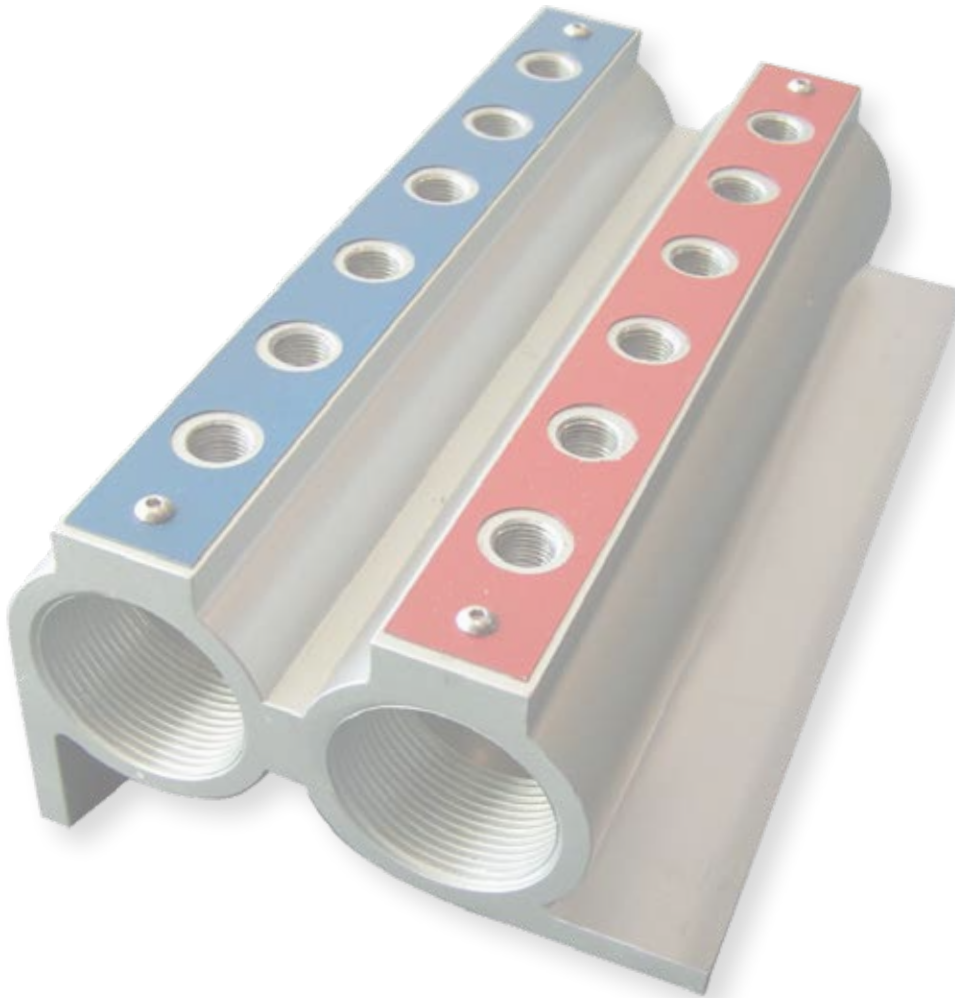
Standard Inlets: 1 1/2"
REF: COMFD0001

** Upon request*



MILACRON®

DME
INDUSTRIAL
SUPPLIES



AT

P: 0800 301 060

F: 0800 401 020

dme_oesterreich@milacron.com

DE

P: 0800 664 82 50 | +49 (0) 2351 437 0

F: 0800 664 82 51 | +49 (0) 2351 437 220

dme_normalien@milacron.com

IT

P: 800 089 734

F: 800 089 735

dme_italy@milacron.com

SK

P: 0800 142 451 | +420 572 151 754

F: 0800 142 450 | +420 571 611 996

dme_cz@milacron.com

BE

P: +32 (0) 15 28 87 30

F: +32 (0) 15 40 51 17

dme_benelux@milacron.com

ES

P: 900 900 342

F: 900 900 343

dme_iberia@milacron.com

NL

P: +31 (0) 20 654 5571

F: +31 (0) 20 654 5572

dme_benelux@milacron.com

UK

P: +44 2071 3300 37

F: +44 2071 3300 36

dme_uk@milacron.com

CH

P: +41 0848 567 364

F: +41 0848 567 365

dme_schweiz@milacron.com

FR

P: +33 1 49 93 92 23

F: +33 1 49 93 92 22

dme_france@milacron.com

PL

P: +800 331 1312 | +32 15 21 50 92

F: +800 331 1313 | +32 15 40 51 92

dme_polska@milacron.com

Other countries

P: +32 15 28 87 30

F: +32 15 40 51 17

dme_export@milacron.com

CZ

P: 800 142 451 | +420 572 151 754

F: 800 142 450 | +420 571 611 996

dme_cz@milacron.com

HU

P: 0680 205 003 | +32 15 28 87 30

F: +32 15 40 51 17

dme_hungary@milacron.com

PT

P: 800 207 900

F: 800 207 901

dme_iberia@milacron.com

eSTORE
store.milacron.com